



**ARCHITECTURAL FINISH & FIXTURE SPECIFICATIONS**  
**OWNER REQUIRED SPECS - PLUMBING FIXTURES**

V1.3 **ADDENDUM 2** | JUNE 2017



## Index by Item Type

Project Name: **Tru by Hilton - V1.3 Prototypical Specs**  
**V1.3 Addendum #2**

## Architectural Finish & Fixture Index REQUIRED VENDORS

Issue Dt	Item Number	Item Description	Vendor
<b>OWNER SUPPLIED ITEMS</b>			
03/01/17	<b>OS-122</b>	Ice Machine @ Hydration Station (MANITOWIC MODEL ID-0302A)	
03/01/07	<b>OS-122</b>	Bottle Filler @ Hydration Station (ELKAY EZH20 BOTTLE FILLING STATION)	
<b>PLUMBING FIXTURE</b>			
03/01/17	<b>PF-02-A</b>	34" x 48" Shower Pan @ Guest Bath (OPTION A - KOHLER)	
03/01/17	<b>PF-03-A</b>	Sink Basin @ Guest Bath (OPTION A - KOHLER)	
03/01/17	<b>PF-04-A</b>	Sink Faucet @ Guest Bath (OPTION A – KOHLER HONESTY)	
03/01/17	<b>PF-05-A</b>	Shower Head @ Guest Bath (OPTION A - AWAKEN)	
03/01/17	<b>PF-06-A</b>	Shower Controls @ Guest Bath (OPTION A – KOHLER HONESTY RITE TEMP; RITE TEMP SHOWER PRESSURE BALANCING VALVE K-304-KS)	
03/01/17	<b>PF-07-A</b>	Sink Basin @ Employee Breakroom (OPTION A – KOHLER)	
03/01/17	<b>PF-08-A</b>	Sink Faucet @ Employee Breakroom (OPTION A - KOHLER)	
03/01/17	<b>PF-09-A</b>	Hand Shower and Diverter Control Combo @ Accessible Guest Bath Roll-in Shower (OPTION A - AWAKEN)	
03/01/17	<b>PF-10-A</b>	Tub @ Accessible Guest Bath (OPTION A – 60" KOHLER)	
03/01/17	<b>PF-11-A</b>	Hand Shower and Tub Combo @ Accessible Guest Bath (OPTION A - AWAKEN)	
03/01/17	<b>PF-12-A</b>	Sink Basin @ Public Restroom (OPTION A - KOHLER)	
03/01/17	<b>PF-13-ALT</b>	Sink Faucet @ Public Restroom (AMERICAN STANDARD – MOMENTS SELECTRONIC MODEL 2506.155)	
03/01/17	<b>TOILET</b>	Toilet @ Guest Bath (STEALTH TOILET 0.8 GPF FLUSH)	
03/01/17	<b>TOILET</b>	Toilet @ Guest Bath (ADA – ECOLOGIC TECHNOLOGY 1.28 GPF FLUSH)	
03/01/17	<b>TOILET</b>	Toilet Seat @ Guest Bath (CHURCH COMMERCIAL MODEL 383SS – 000-WHITE)	
03/01/17	<b>TOILET</b>	Toilet Clean Caps @ Guest Bath (MODEL 5420 – WHITE)	
03/01/17	<b>TOILET</b>	Toilet @ Public Restroom (AMERICAN STANDARD MADERA FLOWISE 1.28 GPF MODEL 3043.528 16.5" HEIGHT MODEL 2234.528 15" HEIGHT)	
03/01/17	<b>TOILET</b>	Toilet Flush Valve @ Public Restroom (SELECTRONIC SENSOR OPERATED MODEL 6065.121.002)	
03/01/17	<b>TOILET</b>	Toilet Flush Valve (Urinal) @ Public Restroom (SELECTRONIC SENSOR OPERATED MODEL 6063.013.002)	
03/01/17	<b>TOILET</b>	Urinal @ Public Restroom (AMERICAN STANDARD DECORUM 0.125 GPF MODEL 6042.001EC)	
03/01/17	<b>TOILET</b>	Toilet Seat @ Public Restroom (CHURCH COMMERCIAL MODEL 255SSC/WHITE)	

**Index by Item Type**

**Project Name: Tru by Hilton - V1.3 Prototypical Specs  
V1.3 Addendum #2**

**Architectural Finish & Fixture Index  
REQUIRED VENDORS**

<b>Issue Dt</b>	<b>Item Number</b>	<b>Item Description</b>	<b>Vendor</b>
<b>TOILET ACCESSORY</b>			
03/01/17	<b>TA-01-B</b>	Glass Shower Enclosure @ Guest Shower (OPTION B – MINCEY MARBLE)	
03/01/17	<b>TA-02-A</b>	Shower Surround @ Guest Bath (OPTION A – KOHLER CHOREOGRAPH/MATTE FINISH)	
03/01/17	<b>NA</b>	Stainless Steel Soap Dish	
03/01/17	<b>TA-04-A</b>	Stainless Footrest @ Guest Shower (WINGIT)	
06/08/17	<b>TA-03-B</b>	Dual Toilet Paper Holder @ Guest Bath (OPTION B – GATCO OR ALTERNATE VOISIN)	
03/01/17	<b>NA</b>	Robe Hook @ Guest Bath (WINGIT – Owner Provided with FFE)	
03/01/17	<b>TA-06-D</b>	Decorative Grab Bar @ Guest Bath Shower (OPTION D – KOHLER)	
03/01/17	<b>TA-06-ALT</b>	Decorative Grab Bar @ Guest Bath Shower (ALT – WINGIT)	
03/01/17	<b>TA-07-A</b>	Paper Towel Dispenser @ Public Restroom (OPTION A – GEORGIA PACIFIC MODEL 59466)	
03/01/17	<b>TA-08-A</b>	Toilet Paper Holder @ Public Restroom (BOBRICK MODEL B4388)	
03/01/17	<b>TA-10-A</b>	18" Accessible Grab Bar @ Public Restroom (OPTION A – WINGIT)	
03/01/17	<b>TA-11-A</b>	36" Accessible Grab Bar @ Public Restroom (OPTION A – WINGIT)	
03/01/17	<b>TA-12-A</b>	42" Accessible Grab Bar @ Public Restroom (OPTION A – WINGIT)	
03/01/17	<b>TA-13-A</b>	24" Accessible Grab Bar @ Guest Shower (OPTION A – WINGIT)	
03/01/17	<b>TA-14-A</b>	30" Accessible Grab Bar @ Guest Shower (OPTION A – WINGIT)	
03/01/17	<b>TA-15-A</b>	36" Accessible Grab Bar @ Guest Shower (OPTION A – WINGIT)	
03/01/17	<b>TA-16-A</b>	Tub Surround @ Accessible Tub (OPTION A – KOHLER CHOREOGRAPH)	
03/01/17	<b>TA-17-A</b>	Straight Shower Rod @ Accessible Roll In Showers (OPTION A – WINGIT)	
03/01/17	<b>TA-18-A</b>	Curved Shower Rod @ Accessible Tub (OPTION A – WINGIT)	
03/01/17	<b>TA-19-A</b>	Folding Shower Seat @ Accessible Roll In Showers (OPTION A – WINGIT)	
03/01/17	<b>TA-20-A</b>	Removable Seat @ Accessible Tub (OPTION A – WINGIT)	
03/01/17	<b>TA-21</b>	Baby Changing Station @ Public Restroom (BOBRICK – STAINLESS KB110-SS-WM)	
	<b>NA</b>	Surface Mount Toilet Seat Cover Dispenser (ASI Model 6477)	
	<b>NA</b>	Surface Mount Sanitary Napkin Disposal (ASI Model 0473)	
	<b>NA</b>	Bulk Soap/Lotion Dispenser (Owner Provided with OS&E)	
	<b>NA</b>	Robe Hook @ Public Restroom (WINGITS MODEL WMEDRH)	
<b>KITCHEN/ADDITION</b>			
03/01/17	<b>NA</b>	3-Compartment Sink @ Kitchen Pantry (ELKAY MODEL 14-3C18X24-2-24X OR ALTERNATE ADVANCE TABCO)	
03/01/17	<b>NA</b>	3-Compartment Sink @ Kitchen Pantry Pre-Rinse (T&S B-2278-A12CRCEL)	
03/01/17	<b>NA</b>	Hand Sink @ Kitchen Pantry (ELKAY MODEL EHS-18DX OR ALTERNATE ADVANCE TABCO MODEL 7-PS-40)	
03/01/17	<b>NA</b>	EyeWash Station @ Kitchen Pantry, Pool Equipment (BRADLEY S19224)	
03/01/17	<b>NA</b>	Mop Service Basin (MUSTEE MODEL 63M – VE JANITOR MOP CLOSET)	
03/01/17	<b>NA</b>	Mop Service Basin Faucet (MOEN MODEL 8230 CHROME)	



Project Name: **V1.3 Prototypical Architectural Specs**  
 Project #: **Tru by Hilton**  
 Issue Date: **03/01/17**  
 Revision(s):

Item Number: **OS-122**  
 Item Description: **Ice Machine @ Hydration Station**

Item Quantity:

Manufacturer: **REQUIRED VENDOR**  
 Address:  
 Phone:  
 Fax:  
 Contact:  
 E-mail:  
 Web:

Source: **Manitowoc**  
 Address: **2110 South 26th Street  
 Manitowac WI 54221-**  
 Phone: **(920) 682-0161**  
 Fax: **(920) 683-7589**  
 Contact:  
 E-mail:  
 Web: **www.manitowocice.com**

Model Number: **\*FORMERLY SPECIFICATION PA-506**  
 Model Name: **\*Manitowoc Indigo Series Ice Maker**  
 Description: **\*Includes:**  
 ID-0322A Ice Cube Machine, cube-style, air-cooled, self-contained condenser, 22"W x 24-1/2"D x 21-1/2"H, up to 335-lb approximately/24 hours, DuraTech™ exterior (stainless finish with innovative clear-coat resists fingerprints & dirt), dice size cubes  
 AR-10000 Arctic Pure® Primary Water Filter Assembly, includes head, shroud, hardware, mounting assembly, & (1) filter cartridge, 14,000 gallon capacity, 0-600 lbs./ice per day.  
 SPA-160 Vending Ice Dispenser, push button, floor model, 22"W x 31-3/16"D x 54"H, approximately 120-lb capacity, designed for dice or half dice ice type, bucket filling, stainless steel exterior with vinyl trim, accepts 22" dice or half dice machines.  
 K-00438 Top Air Discharge Ki  
 Dimensions: **\*Overall: 22"W x 24-1/2"D x 75-1/2"H**  
 Color/Finish: **\*Stainless Steel**



Notes: **\*Ice Machine: (-161) 115v/60/1ph, 11.5 amps**  
**3 year parts & labor Commercial warranty**  
**5 year parts & labor Commercial warranty on evaporator**



Project Name: **V1.3 Prototypical Architectural Specs**

Item Number: **OS-122**

Project #: **Tru by Hilton**

Item Description: **Ice Machine @ Hydration Station**

Issue Date: **03/01/17**

Item Quantity:

Manufacturer: **REQUIRED VENDOR**

Source: **Manitowoc**

5-year parts & 3-year labor Commercial warranty on compressor

Ice Dispenser: (-161) 115v/60/1ph, 1.6 amps, NEMA 5-15P, standard

Required Item(s) for Designer Approval Prior to Fabrication:

Prepared By: **MM**

Seaming Diagram     Strike-Off     Finish Sample     Cutting     Shop Dwgs     Prototype     Flame Certificate

Instructions:

- All quantities to be verified by hotel operator prior to purchasing.
- All interpretations of these specifications **MUST** be submitted to Hilton for final approval prior to purchasing or implementation of any material.
- Must be of contract quality and suitable for commercial use.
- All materials and methods of construction must comply with all local fire and life safety codes for use in hotels and other public spaces, and Tru by Hilton Standards.
- Manufacturer to clearly mark each carton with item ID and specification number.

**PRODUCT SPECIFICATIONS**

Elkay EZH2O® Bottle Filling Station with Integral SwirlFlo® Fountain, Filtered Non-Refrigerated Stainless. Features shall include Hands-Free®, Visual Filter Monitor, Filtered, Green Ticker™, Laminar Flow, Antimicrobial, Real Drain. Furnished with FlexiGuard Safety™ bubbler. Electronic Bottle Filler Sensor With Mechanical Front Bubbler Button activation. Product shall be Wall Mount (In-Wall Frame/Plate), for Indoor applications, serving 1 station(s). Unit shall be certified to UL 399 and CAN/CSA C22.2 No. 120. Unit shall be lead-free design which is certified to NSF/ANSI 61 & 372 (lead free) and meets Federal and State low-lead requirements.

<b>Special Features:</b>	Hands-Free®, Visual Filter Monitor, Filtered, Green Ticker™, Laminar Flow, Antimicrobial, Real Drain
<b>Finish:</b>	Stainless Steel
<b>Power:</b>	115V/60Hz
<b>Bubbler Style:</b>	FlexiGuard Safety™
<b>Activation by:</b>	Electronic Bottle Filler Sensor With Mechanical Front Bubbler Button
<b>Mounting Type:</b>	Wall Mount (In-Wall Frame/Plate)
<b>Chilling Option:</b>	Non-Refrigerated
<b>Full Load Amps</b>	1
<b>Rated Watts:</b>	15
<b>Dimensions (L x W x H):</b>	19-3/4" x 19" x 34-5/8"
<b>Approx. Shipping Weight:</b>	121 lbs.
<b>Installation Location:</b>	Indoor
<b>No. of Stations Served:</b>	1

- Mechanically-Activated bubbler continues to supply water in event of service disruptions.
- Touchless, sensor-activation, designed for easy use.
- Visual Filter Monitor: LED Filter Status Indicator for when filter change is necessary.
- Filter is certified to NSF 42 and 53 for lead, particulate, chlorine, taste and odor reduction. 3,000 gal. capacity.
- Green Ticker: Informs user of number of 20 oz. plastic water bottles saved from waste.
- Laminar flow provides clean fill with minimal splash.
- Silver Ion Antimicrobial protection on key plastic components to inhibit the growth of mold and mildew.
- Real Drain System eliminates standing water.
- Exclusive Flexi-Guard® Safety Bubbler: Innovative design utilizes a pliable polyester elastomer to prevent accidental mouth injuries. Flexes on impact, then returns to original position. Strong. Abrasion-resistant. Anti-sweat. Keyed in location to prevent rotation.

PART: \_\_\_\_\_ QTY: \_\_\_\_\_

PROJECT: \_\_\_\_\_

CONTACT: \_\_\_\_\_

DATE: \_\_\_\_\_

NOTES: \_\_\_\_\_

APPROVAL: \_\_\_\_\_



AMERICAN PRIDE. A LIFETIME TRADITION. Like your family, the Elkay family has values and traditions that endure. For almost a century, Elkay has been a family-owned and operated company, providing thousands of jobs that support our families and communities.



**Included with Product:** Fountain with Integral Bottle Filling Station (EDFPBM114WS-F), Mounting Frame (MFWSF100), Filter

**PRODUCT COMPLIANCE**

- ADA
- Buy American Act
- CAN/CSA C22.2 No. 120
- GreenSpec®
- NSF/ANSI 42, 53, 61, and 372 (lead free)
- UL 399



[Installation Instructions \(PDF\) - 1000002503](#)  
[Installation Instructions \(PDF\) - 1000001943](#)

Electrical components and water system are warranted for 12 months from date of installation. **Warranty pertains to drinking water applications only. Non-drinking water applications are not covered under warranty.**

[Warranty \(PDF\)](#)

**OPTIONAL ACCESSORIES**

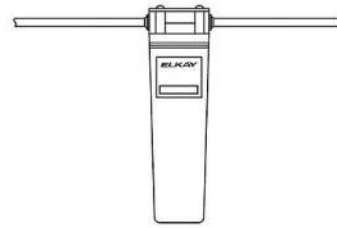
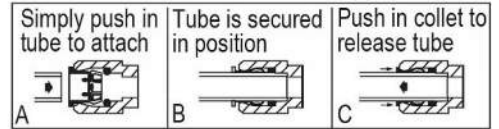
51300C - WaterSentry® Plus Replacement Filter (Bottle Fillers)
WSF6000R-2PK - WaterSentry® Fresh 6000 CTO Filter - Replacement (2pack)
LKAPR1 - Accessory - Cane Apron for SwirlFlo®

*In keeping with our policy of continuing product improvement, Elkay reserves the right to change product specifications without notice. Please visit elkay.com for the most current version of Elkay product specification sheets. This specification describes an Elkay product with design, quality, and functional benefits to the user. When making a comparison of other producers' offerings, be certain these features are not overlooked.*

**IMPORTANT!  
INSTALLER PLEASE NOTE:**

The grounding of electrical equipment such as telephone, computers, etc., to water lines is a common procedure. This grounding may be in the building or may occur away from the building. This grounding can cause electrical feedback into a water cooler, creating an electrolysis which causes a metallic taste or causes an increase in the metal content of the water. This condition is avoidable by using the proper materials as indicated below. The drain fittings which are provided by the installer should also be plastic to electrically isolate the cooler from the building plumbing system.

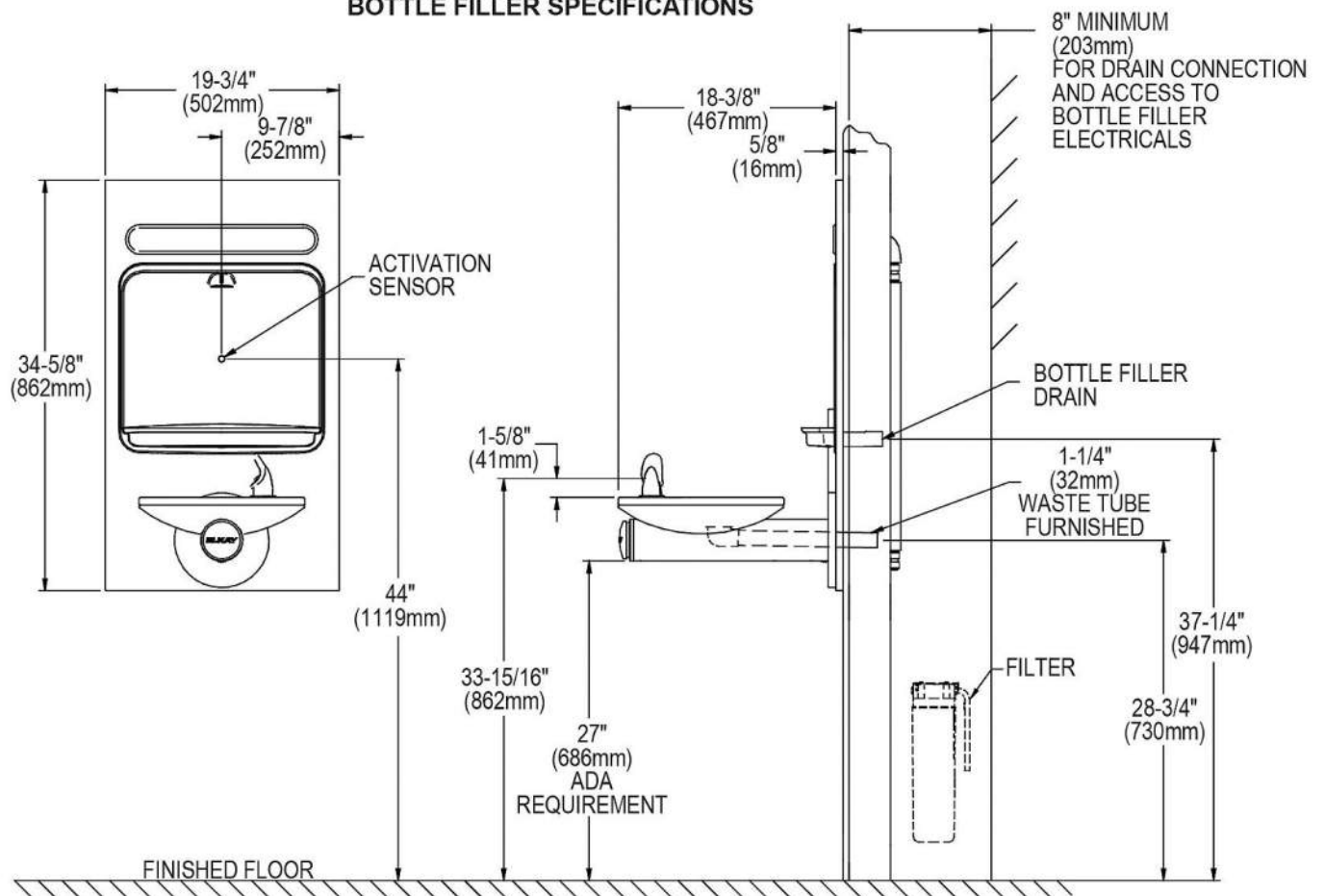
OPERATION OF QUICK CONNECT FITTINGS



Pushing tube in before pulling it out helps to release tube

WaterSentry<sup>®</sup> Plus Filter System

**BOTTLE FILLER SPECIFICATIONS**



REDUCE HEIGHT BY 3 INCHES FOR INSTALLATION OF CHILDREN'S ADA FOUNTAIN

NOTE : New Installations Must Use Ground Fault Circuit Interrupter (GFCI).

*In keeping with our policy of continuing product improvement, Elkay reserves the right to change product specifications without notice. Please visit [elkay.com](http://elkay.com) for the most current version of Elkay product specification sheets. This specification describes an Elkay product with design, quality, and functional benefits to the user. When making a comparison of other producers' offerings, be certain these features are not overlooked.*

MOUNTING FRAME MFWSF100

**INSTALLER NOTE**

This drinking fountain is furnished with a bubbler and valve including all connecting fittings which are manufactured of completely lead free material. Shut off valve (not furnished) to accept 3/8" O.D. unplated copper tube.

**WALL OPENING**

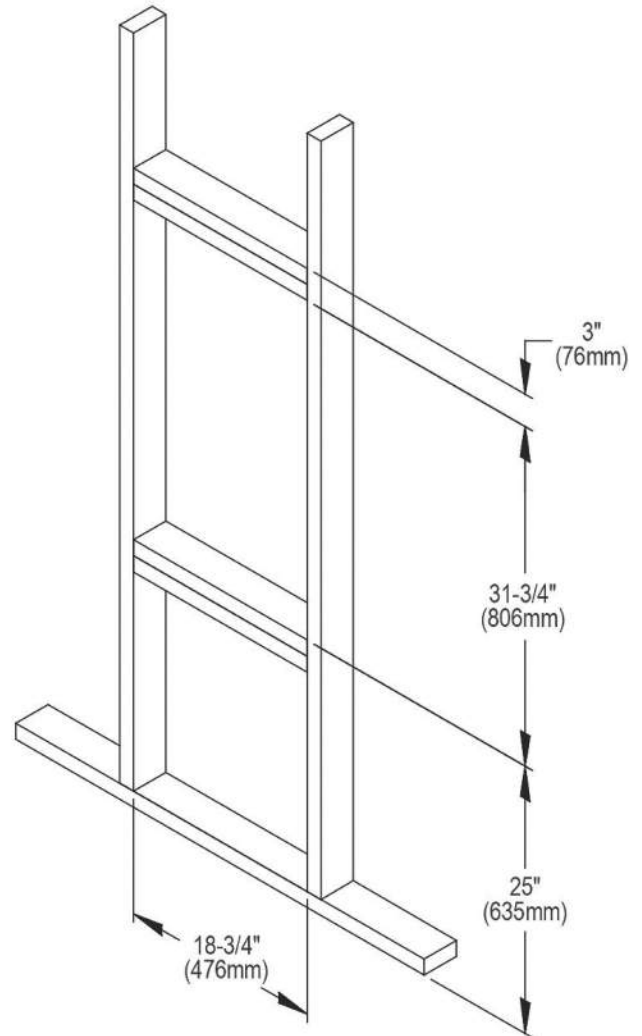
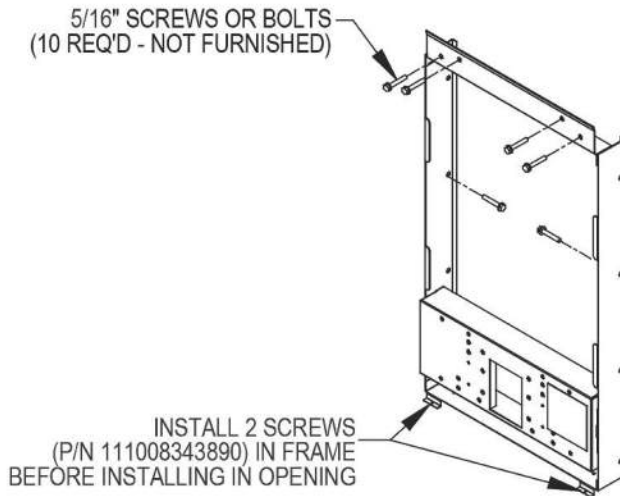
**IMPORTANT:** It is necessary to create a wall opening 18-3/4" W x 31-3/4" H and 25" above the floor line.

**ELECTRICAL DATA**

Electrical outlet, three (3) conductor grounded. Locate within safe reach of power cord.

**MOUNTING INSTRUCTIONS**

Refer to rough-in for location of plumbing and electrical sources. The support frame is to be installed first. Fountain is to be attached to panel and all frame. Water service line, waste line and electrical are assembled as required. Perform a final check for leaks and correct functions of fountain and chiller. (For details see the installation instructions.) Installation requires trap to be installed in wall. Trap and service stop not included.



*In keeping with our policy of continuing product improvement, Elkay reserves the right to change product specifications without notice. Please visit [elkay.com](http://elkay.com) for the most current version of Elkay product specification sheets. This specification describes an Elkay product with design, quality, and functional benefits to the user. When making a comparison of other producers' offerings, be certain these features are not overlooked.*





Hilton

Project Name: **V1.3 Prototypical Architectural Specs**  
Project #: **Tru by Hilton**

Item Number: **PF-02-A**  
Item Description: **34" x 48" Shower Pan @ Guest Bath (OPTION A)**

Issue Date: **03/01/17**

Revision(s):

Item Quantity:

Manufacturer: **REQUIRED VENDOR**

Source: **Sterling**

Address:

Address: **A Kohler Company  
444 Highland Drive  
Kohler WI 53044-**

Phone:

Phone: **800#: (800) 783-7546**

Fax:

Fax: **Mobile: (972) 342-8026**

Contact:

Contact: **Doug Johnston**

E-mail:

E-mail: **douglas.johnston@kohler.com**

Web:

Web: **www.sterlingplumbing.com**

Model Number: **72121100**  
Model Name: **Esemble 34" x 48" Center Drain Shower Pan**  
Dimensions: **34"D x 48"W x 4-1/2"H**  
Color/Finish: **White**



Required Item(s) for Designer Approval Prior to Fabrication:

Prepared By: **AMC**

<input type="checkbox"/> Seaming Diagram	<input type="checkbox"/> Strike-Off	<input checked="" type="checkbox"/> Finish Sample	<input type="checkbox"/> Cutting	<input type="checkbox"/> Shop Dwgs	<input type="checkbox"/> Prototype	<input type="checkbox"/> Flame Certificate
--	-------------------------------------	---	----------------------------------	------------------------------------	------------------------------------	--

Instructions:

- All interpretations of these specifications MUST be submitted to Hilton for final approval prior to purchasing or implementation of any material.
- Must be of contract quality and suitable for commercial use.
- Quantities must be verified by installer.
- All materials & methods of construction must comply with all local fire & life safety codes for use in hotels, and Tru by Hilton Standards.
- Plumbing Sub-Contractor is responsible for providing all plumbing hardware not specified but required for the complete installation of each item. Any plumbing hardware that is exposed to view must match the finish of any trim specified.
- All quantities to be verified by hotel operator prior to purchasing.



Hilton

Project Name: **V1.3 Prototypical Architectural Specs**  
Project #: **Tru by Hilton**  
Issue Date: **03/01/17**  
Revision(s):

Item Number: **PF-03-A**  
Item Description: **Sink Basin @ Guest Bath (OPTION A)**

Item Quantity:

Manufacturer: **REQUIRED VENDOR**  
Address:

Source: **Sterling**  
Address: **A Kohler Company  
444 Highland Drive  
Kohler WI 53044-**

Phone:  
Fax:  
Contact:  
E-mail:  
Web:

Phone: **800#: (800) 783-7546**  
Fax: **Mobile: (972) 342-8026**  
Contact: **Doug Johnston**  
E-mail: **douglas.johnston@kohler.com**  
Web: **www.sterlingplumbing.com**

Model Number: **442007-U-0**  
Model Name: **Sterling Stinson Undermount Sink Basin**  
Dimensions: **18"W x 12"D x 7-1/8"H**  
Color/Finish: **White**

Notes: **Plumbing contractor MUST coordinate with casegood FF&E vendor to ensure faucet fixture and sink basin fit within vanity base.**



Required Item(s) for Designer Approval Prior to Fabrication:

Prepared By: **AMC**

Seaming Diagram    Strike-Off    Finish Sample    Cutting    Shop Dwgs    Prototype    Flame Certificate

Instructions:

- All interpretations of these specifications MUST be submitted to Hilton for final approval prior to purchasing or implementation of any material.
- Must be of contract quality and suitable for commercial use.
- Quantities must be verified by installer.
- All materials & methods of construction must comply with all local fire & life safety codes for use in hotels, and Tru by Hilton Standards.
- Plumbing Sub-Contractor is responsible for providing all plumbing hardware not specified but required for the complete installation of each item. Any plumbing hardware that is exposed to view must match the finish of any trim specified.
- All quantities to be verified by hotel operator prior to purchasing.



Hilton

Project Name: **V1.3 Prototypical Architectural Specs**  
Project #: **Tru by Hilton**  
Issue Date: **03/01/17**  
Revision(s):

Item Number: **PF-04-A**  
Item Description: **Sink Faucet @ Guest Bath (OPTION A)**

Item Quantity:

Manufacturer: **REQUIRED VENDOR**  
Address:

Source: **Kohler Company**  
Address: **444 Highland Drive  
Kohler WI 53044-**

Phone:

Phone:

Fax:

Fax:

Mobile: (513) 250-5482

Contact:

Contact: **Bill Berger**

E-mail:

E-mail: **bill.berger@kohler.com**

Web:

Web: **ww.kohler.com**

Model Number: **K-99760-4-CP**  
Model Name: **Honesty**  
Description: **Single lever handle allows for both on/off activation  
and temperature setting.  
1.5 GPM flow rate.  
Single hole installation**  
Dimensions: **1-3/4"W x 5-11/16"L x 4-3/4"H**  
Color/Finish: **Polished Chrome**



Notes:

**\*Plumbing contractor MUST coordinate with  
casegood FF&E vendor to ensure faucet fixture and  
sink basin fit within vanity base.**

**Coordinate height of faucet with guest bath  
accessory shelf casegood.**

Required Item(s) for Designer Approval Prior to Fabrication:

Prepared By: AMC

Seaming Diagram    Strike-Off    Finish Sample    Cutting    Shop Dwgs    Prototype    Flame Certificate

Instructions:

- All interpretations of these specifications MUST be submitted to Hilton for final approval prior to purchasing or implementation of any material.
- Must be of contract quality and suitable for commercial use.
- Quantities must be verified by installer.
- All materials & methods of construction must comply with all local fire & life safety codes for use in hotels, and Tru by Hilton Standards.
- Plumbing Sub-Contractor is responsible for providing all plumbing hardware not specified but required for the complete installation of each item. Any plumbing hardware that is exposed to view must match the finish of any trim specified.
- All quantities to be verified by hotel operator prior to purchasing.



Project Name: **V1.3 Prototypical Architectural Specs**  
 Project #: **Tru by Hilton**

Item Number: **PF-05-A**  
 Item Description: **Shower Head @ Guest Bath (OPTION A)**

Issue Date: **03/01/17**

Revision(s):

Item Quantity:

Manufacturer: **REQUIRED VENDOR**

Source: **Kohler Company**

Address:

Address: **444 Highland Drive  
Kohler WI 53044-**

Phone:

Phone:

Fax:

Fax:

Mobile: (513) 250-5482

Contact:

Contact: **Bill Berger**

E-mail:

E-mail: **bill.berger@kohler.com**

Web:

Web: **ww.kohler.com**

Model Number: **K-72419-CP**

Model Name: **Awaken G110 2.0 gpm Multi-Function Showerhead**

Dimensions: **4-5/16"W x 2-7/8"H**

Color/Finish: **Polished Chrome**



Notes:

Wall mount installation. Manufacturer to provide all parts required for assembly and installation. All exposed pieces to be polished chrome finish.

Refer to architectural drawings for location and mounting heights.

Please purchase the following separately:  
K-7395-CP- Shower Arm and Flange

Required Item(s) for Designer Approval Prior to Fabrication:

Prepared By: AMC

<input type="checkbox"/> Seaming Diagram	<input type="checkbox"/> Strike-Off	<input checked="" type="checkbox"/> Finish Sample	<input type="checkbox"/> Cutting	<input type="checkbox"/> Shop Dwgs	<input type="checkbox"/> Prototype	<input type="checkbox"/> Flame Certificate
--	-------------------------------------	---	----------------------------------	------------------------------------	------------------------------------	--

Instructions:

- All interpretations of these specifications MUST be submitted to Hilton for final approval prior to purchasing or implementation of any material.
- Must be of contract quality and suitable for commercial use.
- Quantities must be verified by installer.
- All materials & methods of construction must comply with all local fire & life safety codes for use in hotels, and Tru by Hilton Standards.
- Plumbing Sub-Contractor is responsible for providing all plumbing hardware not specified but required for the complete installation of each item. Any plumbing hardware that is exposed to view must match the finish of any trim specified.
- All quantities to be verified by hotel operator prior to purchasing.



Project Name: **V1.3 Prototypical Architectural Specs**  
 Project #: **Tru by Hilton**

Item Number: **PF-06-A**  
 Item Description: **Shower Controls @ Guest Bath (OPTION A)**

Issue Date: **03/01/17**  
 Revision(s):

Item Quantity:

Manufacturer: **REQUIRED VENDOR**  
 Address:

Source: **Kohler Company**  
 Address: **444 Highland Drive  
 Kohler WI 53044-**

Phone:

Phone:

Fax:

Fax:

Mobile: (513) 250-5482

Contact:

Contact: **Bill Berger**

E-mail:

E-mail: **bill.berger@kohler.com**

Web:

Web: **ww.kohler.com**

Model Number: **K-T99761-4-CP**  
 Model Name: **Honesty Rite Temp Trim and Valve**  
 Dimensions: **6-1/2"W x 4-1/2"D**  
 Color/Finish: **CP- Polished Chrome**



Notes: **Manufacturer to provide all parts required for assembly and installation. All exposed pieces to be polished chrome finish.**

**Refer to architectural drawings for location and mounting heights.**

**Please purchase the following separately:  
 Model #K-304-KS Rite Temp Pressure Balancing Valve**

Required Item(s) for Designer Approval Prior to Fabrication:

Prepared By: AMC

<input type="checkbox"/> Seaming Diagram	<input type="checkbox"/> Strike-Off	<input checked="" type="checkbox"/> Finish Sample	<input type="checkbox"/> Cutting	<input type="checkbox"/> Shop Dwgs	<input type="checkbox"/> Prototype	<input type="checkbox"/> Flame Certificate
--	-------------------------------------	---	----------------------------------	------------------------------------	------------------------------------	--

Instructions:

- All interpretations of these specifications MUST be submitted to Hilton for final approval prior to purchasing or implementation of any material.
- Must be of contract quality and suitable for commercial use.
- Quantities must be verified by installer.
- All materials & methods of construction must comply with all local fire & life safety codes for use in hotels, and Tru by Hilton Standards.
- Plumbing Sub-Contractor is responsible for providing all plumbing hardware not specified but required for the complete installation of each item. Any plumbing hardware that is exposed to view must match the finish of any trim specified.
- All quantities to be verified by hotel operator prior to purchasing.

### Features

- Mixing valve cycles from "cold" to "hot".
- Rite-Temp® pressure-balancing diaphragm design valve.
- Rite-Temp® pressure-balancing technology maintains water temperature within +/- 3 degrees Fahrenheit.
- Provides anti-scald protection and temperature regulation.
- Integral screwdriver stops allow you to turn off the water supply at the valve.
- High-temperature safety stop ensures water temperature stays below 120 degrees Fahrenheit.
- Universal NPT and direct sweat connections need no additional parts for installation.
- Requires valve trim (sold separately).
- Deep rough-in kit varies with trim.

### Material

- Brass construction.

### Installation

- Back-to-back installation is ideal for unique or high-volume jobs.
- Mounting tabs located on rough-in for secure installation option.



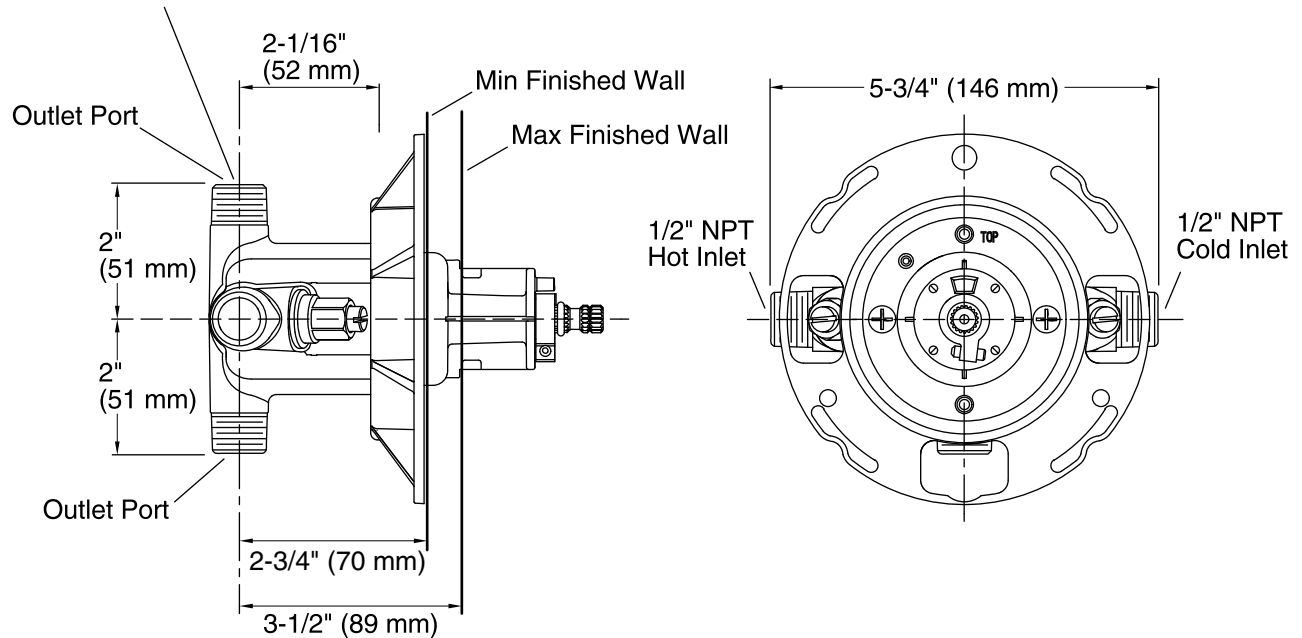
### Codes/Standards

ASME A112.18.1/CSA B125.1  
ASSE 1016/ASME A112.1016/CSA B125.16

### KOHLER® Faucet Lifetime Limited Warranty

See website for detailed warranty information.

1/2"-14 NPT or 5/8" ID  
for 1/2" Nominal Copper Tubing



### Technical Information

All product dimensions are nominal.

#### Shower Valve:

Flow rate - Max: 5 gal/min (18.9 l/min)

### Notes

Install this product according to the installation guide.

Avoid cross-flow conditions. Do not install a shut-off device on either valve outlet.

Cap the shower outlet if deck-mount spout, diverter, or handshower is connected to the spout outlet.

Install straight pipe or tube drop of 7" (178 mm) to 18" (457 mm) with single elbow between the valve and wall-mount spout.



Hilton

Project Name: **V1.3 Prototypical Architectural Specs**  
Project #: **Tru by Hilton**

Item Number: **PF-07-A**  
Item Description: **Sink Basin @ Employee Breakroom (OPTION A)**

Issue Date: **03/01/17**

Revision(s):

Item Quantity:

Manufacturer: **REQUIRED VENDOR**

Source: **Sterling**

Address:

Address: **A Kohler Company  
444 Highland Drive  
Kohler WI 53044-**

Phone:

Phone: **800#: (800) 783-7546**

Fax:

Fax: **Mobile: (972) 342-8026**

Contact:

Contact: **Doug Johnston**

E-mail:

E-mail: **douglas.johnston@kohler.com**

Web:

Web: **www.sterlingplumbing.com**

Model Number: **11403-4-NA**  
Model Name: **Sterling Southhaven Top- Mount Kitchen Sink**  
Dimensions: **24-1/2"W x 21-1/2"D x 6-1/2"H (Bowl Depth)**  
Color/Finish: **Stainless Steel**



Required Item(s) for Designer Approval Prior to Fabrication:

Prepared By: **AMC**

<input type="checkbox"/> Seaming Diagram	<input type="checkbox"/> Strike-Off	<input checked="" type="checkbox"/> Finish Sample	<input type="checkbox"/> Cutting	<input type="checkbox"/> Shop Dwgs	<input type="checkbox"/> Prototype	<input type="checkbox"/> Flame Certificate
--	-------------------------------------	---	----------------------------------	------------------------------------	------------------------------------	--

Instructions:

- All interpretations of these specifications MUST be submitted to Hilton for final approval prior to purchasing or implementation of any material.
- Must be of contract quality and suitable for commercial use.
- Quantities must be verified by installer.
- All materials & methods of construction must comply with all local fire & life safety codes for use in hotels, and Tru by Hilton Standards.
- Plumbing Sub-Contractor is responsible for providing all plumbing hardware not specified but required for the complete installation of each item. Any plumbing hardware that is exposed to view must match the finish of any trim specified.
- All quantities to be verified by hotel operator prior to purchasing.





Hilton

Project Name: **V1.3 Prototypical Architectural Specs**  
Project #: **Tru by Hilton**

Item Number: **PF-08-A**  
Item Description: **Sink Faucet @ Employee Breakroom (OPTION A)**

Issue Date: **03/01/17**  
Revision(s):

Item Quantity:

Manufacturer: **REQUIRED VENDOR**  
Address:

Source: **Kohler Company**  
Address: **444 Highland Drive  
Kohler WI 53044-**

Phone:

Phone:

Fax:

Fax:

Mobile: (513) 250-5482

Contact:

Contact: **Bill Berger**

E-mail:

E-mail: **bill.berger@kohler.com**

Web:

Web: **ww.kohler.com**

Model Number: **K-15171-FL-CP**  
Model Name: **Coralais Three Hole Kitchen Sink Faucet**  
Description: **10" Spout Reach**  
Dimensions: **6-3/8"W x 10"D (spout reach) x 9-7/8"H (handle fully opened)**  
Color/Finish: **Polished Chrome**



Required Item(s) for Designer Approval Prior to Fabrication:

Prepared By: AMC

<input type="checkbox"/> Seaming Diagram	<input type="checkbox"/> Strike-Off	<input checked="" type="checkbox"/> Finish Sample	<input type="checkbox"/> Cutting	<input type="checkbox"/> Shop Dwgs	<input type="checkbox"/> Prototype	<input type="checkbox"/> Flame Certificate
--	-------------------------------------	---	----------------------------------	------------------------------------	------------------------------------	--

Instructions:

- All interpretations of these specifications MUST be submitted to Hilton for final approval prior to purchasing or implementation of any material.
- Must be of contract quality and suitable for commercial use.
- Quantities must be verified by installer.
- All materials & methods of construction must comply with all local fire & life safety codes for use in hotels, and Tru by Hilton Standards.
- Plumbing Sub-Contractor is responsible for providing all plumbing hardware not specified but required for the complete installation of each item. Any plumbing hardware that is exposed to view must match the finish of any trim specified.
- All quantities to be verified by hotel operator prior to purchasing.



Project Name: **V1.3 Prototypical Architectural Specs**  
 Project #: **Tru by Hilton**

Item Number: **PF-09-A**  
 Item Description: **Hand Shower and Diverter Control Combo @ Accessible Guest Bath Roll-in Shower (OPTION A)**

Issue Date: **03/01/17**

Revision(s):

Item Quantity:

Manufacturer: **REQUIRED VENDOR**

Source: **Kohler Company**

Address:

Address: **444 Highland Drive  
Kohler WI 53044-**

Phone:

Phone:

Fax:

Fax:

Mobile: (513) 250-5482

Contact:

Contact: **Bill Berger**

E-mail:

E-mail: **bill.berger@kohler.com**

Web:

Web: **ww.kohler.com**

Model Number: **K-99898-CP**  
 Model Name: **Awaken G110 Slidebar Kit**  
 Description: **Includes:  
Awaken G110 Multifunction Handshower  
36" Slidebar  
60" Metal Hose**  
 Dimensions: **3-5/8" x 4-5/16" x 41-5/8"**  
 Color/Finish: **CP Polished Chrome**



Notes: **Please purchase the following separately:**  
  
**K-75790-ZZ-0 Shower Arm  
 K-72419-CP Showerhead  
 K-T99762-4 Valve Trim- Polished Chrome with Diverter  
 K-11748-KS Pressure - Balancing Valve with Stops and Diverter  
 K-98351-CP Wall Mount Supply Elbow with Check Valve**

Required Item(s) for Designer Approval Prior to Fabrication:

Prepared By: **AMC**

<input type="checkbox"/> Seaming Diagram	<input type="checkbox"/> Strike-Off	<input checked="" type="checkbox"/> Finish Sample	<input type="checkbox"/> Cutting	<input type="checkbox"/> Shop Dwgs	<input type="checkbox"/> Prototype	<input type="checkbox"/> Flame Certificate
--	-------------------------------------	---	----------------------------------	------------------------------------	------------------------------------	--

Instructions:

- All interpretations of these specifications **MUST** be submitted to Hilton for final approval prior to purchasing or implementation of any material.
- Must be of contract quality and suitable for commercial use.
- Quantities must be verified by installer.



Hilton

Project Name: **V1.3 Prototypical Architectural Specs**  
Project #: **Tru by Hilton**

Item Number: **PF-09-A**  
Item Description: **Hand Shower and Diverter Control  
Combo @ Accessible Guest Bath Roll-  
in Shower (OPTION A)**

Issue Date: **03/01/17**

---

Item Quantity:

---

Manufacturer: **REQUIRED VENDOR**

Source: **Kohler Company**

---

Instructions:

- All materials & methods of construction must comply with all local fire & life safety codes for use in hotels, and Tru by Hilton Standards.
- Plumbing Sub-Contractor is responsible for providing all plumbing hardware not specified but required for the complete installation of each item. Any plumbing hardware that is exposed to view must match the finish of any trim specified.
- All quantities to be verified by hotel operator prior to purchasing.



Project Name: **V1.3 Prototypical Architectural Specs**  
Project #: **Tru by Hilton**

Item Number: **PF-10-A**  
Item Description: **Tub @ Accessible Guest Bath (OPTION A)**

Issue Date: **03/01/17**

Revision(s):

Item Quantity:

Manufacturer: **REQUIRED VENDOR**

Source: **Sterling**

Address:

Address: **A Kohler Company  
444 Highland Drive  
Kohler WI 53044-**

Phone:

Phone: **800#: (800) 783-7546**

Fax:

Fax: **Mobile: (972) 342-8026**

Contact:

Contact: **Doug Johnston**

E-mail:

E-mail: **douglas.johnston@kohler.com**

Web:

Web: **www.sterlingplumbing.com**

Model Number: **71041110**  
Model Name: **Sterling Performa Series**  
Dimensions: **60"W x 29"D x 16-1/4"H**  
Color/Finish: **White**

Notes: **Manufacturer must provide all parts necessary for installation.**

**Refer to architectural drawings for locations.**



Required Item(s) for Designer Approval Prior to Fabrication:

Prepared By: **AMC**

<input type="checkbox"/> Seaming Diagram	<input type="checkbox"/> Strike-Off	<input checked="" type="checkbox"/> Finish Sample	<input type="checkbox"/> Cutting	<input type="checkbox"/> Shop Dwgs	<input type="checkbox"/> Prototype	<input type="checkbox"/> Flame Certificate
--	-------------------------------------	---	----------------------------------	------------------------------------	------------------------------------	--

Instructions:

- All interpretations of these specifications **MUST** be submitted to Hilton for final approval prior to purchasing or implementation of any material.
- Must be of contract quality and suitable for commercial use.
- Quantities must be verified by installer.
- All materials & methods of construction must comply with all local fire & life safety codes for use in hotels, and Tru by Hilton Standards.
- Plumbing Sub-Contractor is responsible for providing all plumbing hardware not specified but required for the complete installation of each item. Any plumbing hardware that is exposed to view must match the finish of any trim specified.
- All quantities to be verified by hotel operator prior to purchasing.



Project Name: **V1.3 Prototypical Architectural Specs**  
 Project #: **Tru by Hilton**

Item Number: **PF-11-A**  
 Item Description: **Hand Shower and Tub Combo @ Accessible Guest Bath (OPTION A)**

Issue Date: **03/01/17**

Revision(s):

Item Quantity:

Manufacturer: **REQUIRED VENDOR**

Source: **Kohler Company**

Address:

Address: **444 Highland Drive  
Kohler WI 53044-**

Phone:

Phone:

Fax:

Fax:

Mobile: (513) 250-5482

Contact:

Contact: **Bill Berger**

E-mail:

E-mail: **bill.berger@kohler.com**

Web:

Web: **ww.kohler.com**

Model Number: **K-99898-CP**  
 Model Name: **Awaken G110 Slidebar Kit**  
 Description: **Includes:  
Awaken G110 Multifunction Handshower  
36" Slidebar  
60" Metal Hose**  
 Dimensions: **3-5/8" x 4-5/16" x 41-5/8"**  
 Color/Finish: **CP Polished Chrome**



Notes: **Please purchase the following separately:  
  
K-T99762-4 Valve Trim- Polished Chrome with Diverter  
K-11748-KS Pressure - Balancing Valve with Stops and Diverter  
K-98351-CP Wall Mount Supply Elbow with Check Valve  
K-15135-CP Bath Spout - Polished Chrome**

Required Item(s) for Designer Approval Prior to Fabrication:

Prepared By: **AMC**

<input type="checkbox"/> Seaming Diagram	<input type="checkbox"/> Strike-Off	<input checked="" type="checkbox"/> Finish Sample	<input type="checkbox"/> Cutting	<input type="checkbox"/> Shop Dwgs	<input type="checkbox"/> Prototype	<input type="checkbox"/> Flame Certificate
--	-------------------------------------	---	----------------------------------	------------------------------------	------------------------------------	--

Instructions:

- All interpretations of these specifications **MUST** be submitted to Hilton for final approval prior to purchasing or implementation of any material.
- Must be of contract quality and suitable for commercial use.
- Quantities must be verified by installer.
- All materials & methods of construction must comply with all local fire & life safety codes for use in hotels, and Tru by Hilton Standards.



Hilton

Project Name: **V1.3 Prototypical Architectural Specs**

Item Number: **PF-11-A**

Project #: **Tru by Hilton**

Item Description: **Hand Shower and Tub Combo @  
Accessible Guest Bath (OPTION A)**

Issue Date: **03/01/17**

---

Item Quantity:

---

Manufacturer: **REQUIRED VENDOR**

Source: **Kohler Company**

---

Instructions:

- Plumbing Sub-Contractor is responsible for providing all plumbing hardware not specified but required for the complete installation of each item. Any plumbing hardware that is exposed to view must match the finish of any trim specified.
- All quantities to be verified by hotel operator prior to purchasing.



Hilton

Project Name: **V1.3 Prototypical Architectural Specs**  
Project #: **Tru by Hilton**

Item Number: **PF-12-A**  
Item Description: **Sink Basin @ Public Restroom (OPTION A)**

Issue Date: **03/01/17**  
Revision(s):

Item Quantity:

Manufacturer: **REQUIRED VENDOR**  
Address:

Source: **Sterling**  
Address: **A Kohler Company  
444 Highland Drive  
Kohler WI 53044-**

Phone:

Phone: **800#: (800) 783-7546**

Fax:

Fax: **Mobile: (972) 342-8026**

Contact:

Contact: **Doug Johnston**

E-mail:

E-mail: **douglas.johnston@kohler.com**

Web:

Web: **www.sterlingplumbing.com**

Model Number: **442007-U-0**  
Model Name: **Sterling Stinson Undermount Sink Basin**  
Dimensions: **18"W x 12"D x 7-1/8"H**  
Color/Finish: **White**



Notes: **Plumbing contractor MUST coordinate with casegood FF&E vendor to ensure faucet fixture and sink basin fit within vanity base.**

Required Item(s) for Designer Approval Prior to Fabrication:

Prepared By: **AMC**

<input type="checkbox"/> Seaming Diagram	<input type="checkbox"/> Strike-Off	<input checked="" type="checkbox"/> Finish Sample	<input type="checkbox"/> Cutting	<input type="checkbox"/> Shop Dwgs	<input type="checkbox"/> Prototype	<input type="checkbox"/> Flame Certificate
--	-------------------------------------	---	----------------------------------	------------------------------------	------------------------------------	--

Instructions:

- All interpretations of these specifications MUST be submitted to Hilton for final approval prior to purchasing or implementation of any material.
- Must be of contract quality and suitable for commercial use.
- Quantities must be verified by installer.
- All materials & methods of construction must comply with all local fire & life safety codes for use in hotels, and Tru by Hilton Standards.
- Plumbing Sub-Contractor is responsible for providing all plumbing hardware not specified but required for the complete installation of each item. Any plumbing hardware that is exposed to view must match the finish of any trim specified.
- All quantities to be verified by hotel operator prior to purchasing.

*American  
Standard*

## MOMENTS SELECTRONIC® ELECTRONIC PROXIMITY LAVATORY FAUCET CAST BRASS SPOUT



### PRODUCT FEATURES:

#### Power Options:

- **PWRX™ Long-Life Battery System:** Battery Life - 480,000 cycles (10 years @ 4,000 cycles per month). Advanced battery & electronics reduce the downtime and maintenance costs associated with changing batteries.  
Safety Circuitry prevents overheating in case of short circuit and protects the electronics from damage.
- **DC (Battery):** Includes CR-P2 lithium battery. Battery Life - 192,000 cycles (4 years @ 4,000 cycles per month).
- **Plug-In AC:** Includes Class 2 UL certified universal Plug-In AC transformer with 6' long power cord.
- **Hard-Wired AC:** Includes Class 2 UL certified universal Hard-Wired AC transformer (electrical box by others).
- **Multi-AC:** One AC transformer can power up to 15 faucets and/or flush valves in a daisy chain configuration.  
**POWER SUPPLY NOT INCLUDED.**

**Flexible Selectronic® Platform** with programmable, multi-function sensor.

**Easy & Flexible Installation:** Single post mounting with optional 4" & 8" deck plate. Water resistant solenoid enclosure mounts to wall.

**Durable Vandal-Resistant Brass Body:** Ideal for high-use commercial applications.

**Self-Cleaning Solenoid Valve:** Wiper spring prevents clogging

**Universal Voltage:** AC power supplies and transformers have input voltage range of 100 - 240 VAC, 50/60 Hz.

**Easy to Service Integrated Strainer:** Patented integrated strainer protects solenoid from debris. Strainer is enclosed in removable debris cup for easy service.

**Optional Purge Feature:** Faucet can be programmed to open at a pre-determined time after last use to purge the faucet and water lines.

**Safety Timer:** Helps prevent vandalism by turning off the faucet if the sensor is covered for 55 seconds or more.

**Low Lead:** Faucet contains ≤ 0.25% total lead content by weighted average.

### MODEL NUMBER:



- **PWRX™ LONG-LIFE BATTERY POWERED**
  - 2506.145** 0.5 GPM pressure compensating, vandal-resistant multi-laminar spray.
  - 2506.143** 1.5 GPM pressure compensating, vandal-resistant aerator.
- **DC (BATTERY) POWERED**
  - 2506.155** 0.5 GPM pressure compensating, vandal-resistant multi-laminar spray.
  - 2506.162** 1.5 GPM pressure compensating, vandal-resistant aerator.

### ■ PLUG-IN AC POWERED

- 2506.165** 0.5 GPM pressure compensating, vandal-resistant multi-laminar spray.
- 2506.162** 1.5 GPM pressure compensating, vandal-resistant aerator.

### ■ MULTI-AC POWERED

- 2506.175** 0.5 GPM pressure compensating, vandal-resistant multi-laminar spray.
- 2506.172** 1.5 GPM pressure compensating, vandal-resistant aerator.

### ■ HARD-WIRED AC POWERED

- 2506.195** 0.5 GPM pressure compensating, vandal-resistant multi-laminar spray.
- 2506.192** 1.5 GPM pressure compensating, vandal-resistant aerator.

### ■ OPTIONAL 4" or 8" Deck plates

- 605P.400** 4" brass deck plate with 1/4" fixation studs and quick spin nuts. (6-1/8" x 2-1/8" x 1/2")
- 605P.800** 8" brass deck plate with 1/4" fixation studs and quick spin nuts. (10-1/8" x 2-3/8" x 1/2")

### ■ OPTIONAL Mixing Valve

- 605XTMV1070** Thermostatic mixing valve. 20" flexible stainless steel inlet hoses with 3/8" compression fittings. ASSE 1070 certified down to 0.35 gpm.

### GENERAL DESCRIPTION:

Electronic faucet with proximity operation. Vandal-resistant cast brass spout with single post mounting. Water pressure range from 20 to 125 psi. Single inlet. 18" flexible stainless steel inlet hose with 3/8" compression fitting for connection to control box

### RECOMMENDED SPECIFICATION

Electronic, sensor-operated lavatory faucet shall feature a programmable, multi-function sensor and an electronically operated self-cleaning solenoid valve. Shall also feature a vandal resistant solid brass construction with single inlet and in-line strainer. Shall meet ANSI A112.18.1 and ANSI 117.1 codes. Fitting shall be American Standard Model # 2506.1\_\_.





# STEALTH®

QUIET. POWERFUL. PROVEN.™

THE WORLD'S ONLY ULTRA-HIGH-EFFICIENCY TOILETS



**0.8 GPF SINGLE FLUSH ELONGATED BOWL**  
BOWL - N7717 | TANK - N7714 | 12" Rough-In

### FEATURES

- Quiet, powerful flush delivered with a patented Stealth flush chamber and air transfer system
- Reliable standard Fluidmaster fill valve
- One flush thoroughly evacuates the bowl every time, eliminating double flushing
- Smooth, low friction ceramic surface helps achieve a clear bowl every time
- Two-piece toilet
- Stylish, inconspicuous and durable flush button
- EZ Height design
- No flapper to cause leakage

### SPECIFICATIONS

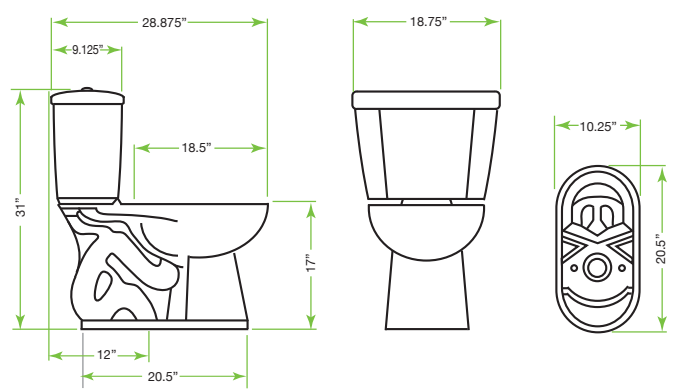
#### N7717 Bowl and N7714 Tank

Technology	Stealth
Flush Rate	0.8 GPF
MaP Performance Score	800g - MaP Premium
Efficiency Rating	UHET
ASME Certification	✓ A112.19.2
CSA Certification	✓ B45.1
WaterSense Labeled	✓
EZ Height	✓17"
Materials	Vitreous China
Finish Color	White

NOTE: EZ Height is only ADA Compliant with appropriate seat configuration.

### MEASUREMENTS

- Bowl Dimensions:** 14"W x 17"H x 28.5"D
- Footprint:** 20.5"L x 10.25"W
- Water Spot:** 8" x 6"
- Assembled Dimensions:** 18.75" W x 31" H x 28.875" D
- Rough-In:** 12"



\*LIMITED LIFETIME WARRANTY on vitreous china products. Toilet tank trim: fill valve and flush valve assembly and plumbing fittings are warranted for a period of ten years to the purchaser from the date of purchase. Call Niagara Conservation for complete warranty details.

**CORPORATE HQ** 1200 Lakeside Parkway, Suite 450, Flower Mound, Texas 75028 USA  
(t) 800.831.8383 (p) 817.391.0800 (f) 682.200.6962 (e) info@niagaracorp.com

© 2016 Niagara Conservation

niagaracorp.com

# STEALTH® 0.8 GPF SINGLE FLUSH ELONGATED BOWL

## RETAIL PACKAGING

### 77000WHA11 All-In-One

UPC Code 732291770002

Packaging Type High-Quality, White Corrugate With Litho Label

Dimensions 16.5" W  
28.7" H  
31.5" D

Weight (Pkg.) 101 lbs

## BULK PACKAGING

### N7717 Elongated

UPC Code 7322917717332

Packaging Type Kraft Corrugated

Dimensions 16" W  
17.5" H  
29.5" D

Weight (Pkg.) 40 lbs

Skid Quantity 18 or 12

### N7714 Tank

UPC Code 732291771429

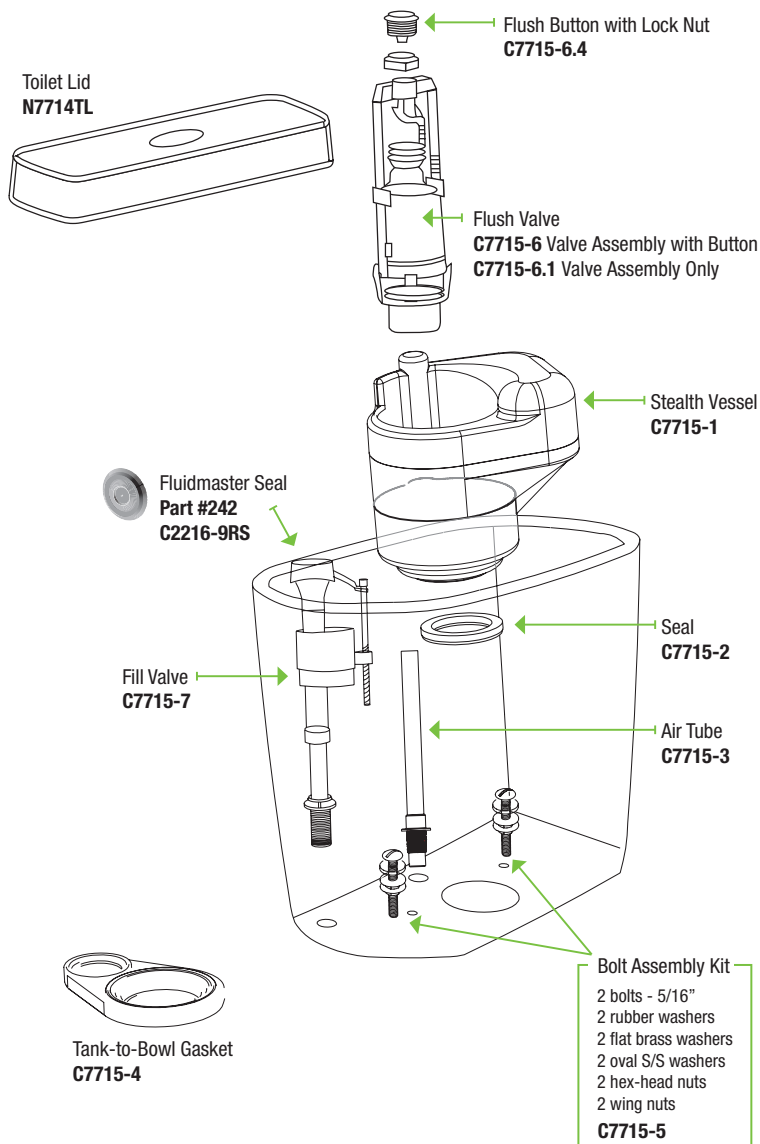
Packaging Type Kraft Corrugated

Dimensions 9.5" W  
15.5" H  
19" D

Weight (Pkg.) 37 lbs

Skid Quantity 30

## ASSEMBLY / SPARE PARTS



## INSTALLATION NOTES

Install this product according to the installation guide. For back-to-back toilet installations: Use only a 45° double wye fitting. Will comply with the Americans with Disabilities Act (ADA) when installed per the requirements of the 2010 ADA Standards of Accessible Design, Section 604 Water Closets, of the Act. The Model Plumbing Codes require the installation of elongated open-front toilet seats in public bathrooms. Will comply with CSA B651 when installed per Clause 4.3.6 of the standard. Will comply with OBC Barrier Free requirements when installed per Clause 3.8.3.8 and 3.8.3.9.



The Original Flapperless Toilet

# ECOLOGIC<sup>®</sup>

Technology

## Go Flapperless.<sup>®</sup>

### SENTINEL 1.28 GPF ELONGATED BOWL

TANK - N2235T | BOWL - N2235EB | 10" - 12" Rough-In

#### FEATURES

- Uses 60% less water than a common 3.5 GPF toilet
- Excellent MaP scores
- **Opposable handle positioning**
- Flapperless tank with Fluidmaster fill valve
- Sweat-free tank
- Maintenance free, leak free, no double flushing



#### SPECIFICATIONS

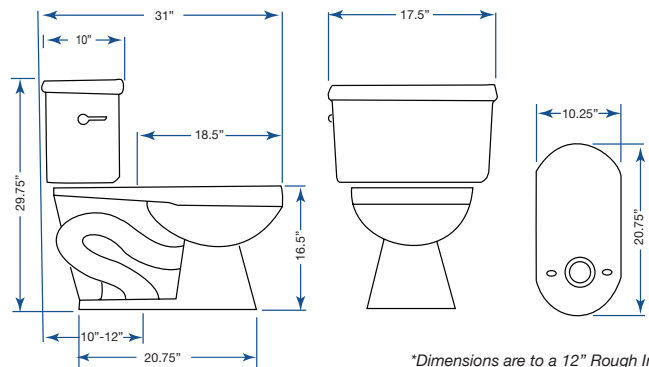
##### N2235EB Bowl and N2235T Tank

Technology	EcoLogic
Flush Rate	1.28 GPF
MaP Performance Score	1000g
Efficiency Rating	HET
ASME Certification	<input checked="" type="checkbox"/> A112.19.2
CSA Certification	<input checked="" type="checkbox"/> B45.1
WaterSense Labeled	<input checked="" type="checkbox"/>
EZ Height	<input checked="" type="checkbox"/> 16.5"
Materials	Vitreous China
Finish Color	White

NOTE: EZ Height is only ADA Compliant with appropriate seat configuration.

#### MEASUREMENTS

Bowl Dimensions:	14.5"W x 16.5"H x 28.75"D
Footprint:	20.75"L x 10.25"W
Water Spot:	8" x 6"
Assembled Dimensions:	17.5" W x 29.75" H x 31" D
Rough-In:	10" - 12"



\*Dimensions are to a 12" Rough In



**NIAGARA**  
CONSERVATION

\*LIMITED LIFETIME WARRANTY on vitreous china products. Toilet tank trim: fill valve and flush valve assembly and plumbing fittings are warranted for a period of ten years to the purchaser from the date of purchase. Call Niagara Conservation for complete warranty details.

**CORPORATE HQ** 1200 Lakeside Parkway, Suite 450, Flower Mound, Texas 75028 USA  
(t) 800.831.8383 (p) 817.391.0800 (f) 682.200.6962 (e) info@niagaracorp.com

© 2016 Niagara Conservation

niagaracorp.com

# SENTINEL 1.28 GPF ELONGATED BOWL

## BULK PACKAGING

### N2235EB Elongated

UPC Code 732291223515

Packaging Type Kraft Corrugated

Dimensions  
15.5" W  
17.5" H  
29.75" D

Weight (Pkg.) 53 lbs

Skid Quantity 18 or 12

### N2235T Tank

UPC Code 732291223522

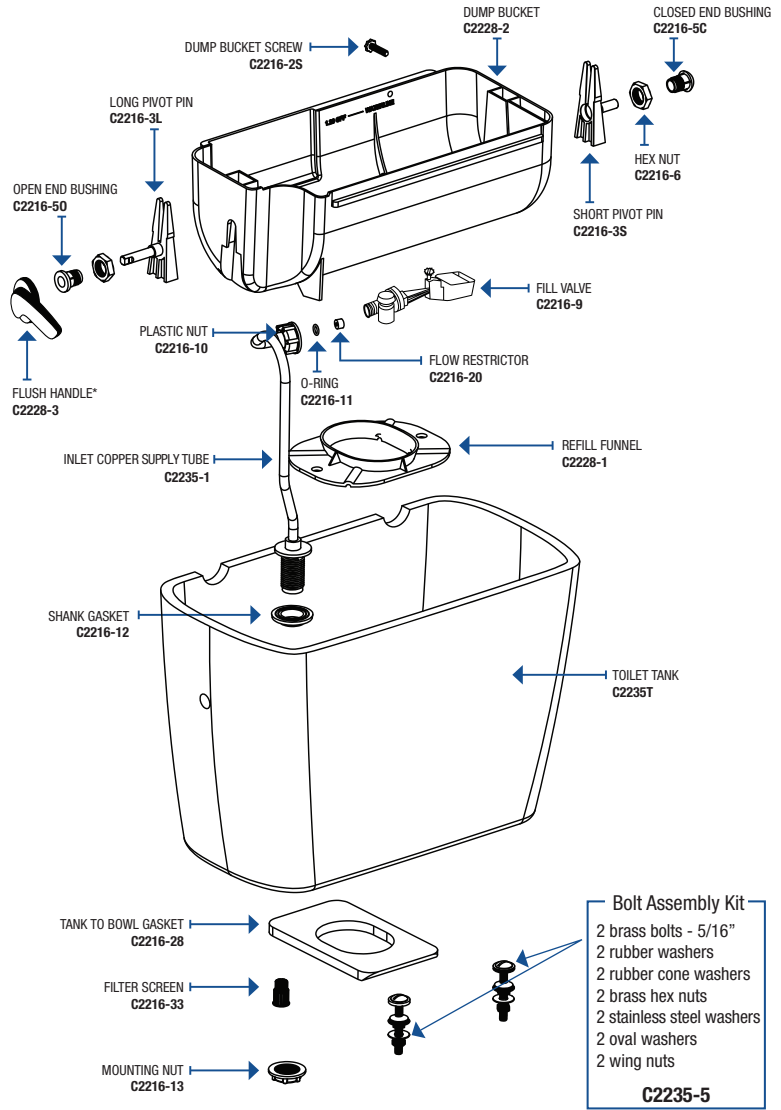
Packaging Type Kraft Corrugated

Dimensions  
10.5" W  
15.75" H  
18.5" D

Weight (Pkg.) 37 lbs

Skid Quantity 30

## ASSEMBLY / SPARE PARTS



\*Flush handle left-hand assembly shown; reverse these parts for right-hand flush assembly.

## INSTALLATION NOTES

Install this product according to the installation guide. For back-to-back toilet installations: Use only a 45° double wye fitting. Will comply with the Americans with Disabilities Act (ADA) when installed per the requirements of the 2010 ADA Standards of Accessible Design, Section 604 Water Closets, of the Act. The Model Plumbing Codes require the installation of elongated open-front toilet seats in public bathrooms. Will comply with CSA B651 when installed per Clause 4.3.6 of the standard. Will comply with OBC Barrier Free requirements when installed per Clause 3.8.3.8 and 3.8.3.9.



# COMMERCIAL HEAVY-DUTY PLASTIC TOILET SEAT

MODEL #

COLOR #

**383SS**

**000 - WHITE**

## DESCRIPTION :

Closed front with cover, elongated, heavy-duty, injection molded solid plastic toilet seat. Features four molded-in bumpers, non-corrosive 300 Series stainless steel self-sustaining hinges. This seat complies with IAPMO/ANSI Z124.5-2013 Plastic Toilet Seats as a class Commercial Heavy Duty.

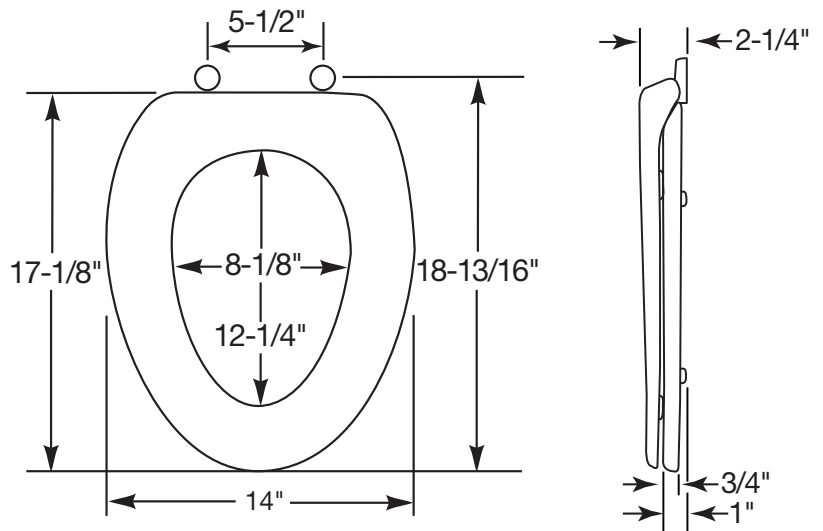
## SPECIFICATIONS :

Size:	Elongated
Material:	Plastic
Style:	Closed Front with Cover
Bumpers:	Four
Hinges:	300 Series Stainless Steel Self-Sustaining
Fastening System:	300 Series Stainless Steel Hardware

## FEATURES :

- 300 Series Stainless Steel Self-Sustaining Hinges
- 300 Series Stainless Steel Hardware

## DIMENSIONS :



300 SERIES STAINLESS  
STEEL SELF-SUSTAINING  
HINGES

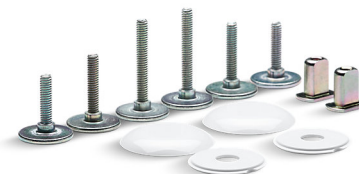
Proudly Made in the USA

Church Seats, Sheboygan Falls, WI 53085  
www.ToiletSeats.com

Phone: 800-233-7328 Fax: 800-292-3647  
©2014 0B7082240 REVA

### Features

- Low-profile bolt caps create a sleek, minimalistic look and simplify cleaning.
- Conceals floor bolts on toilet.
- Unlike standard T-bolts, no bolt cutting is required.
- Caps firmly secure to washers and won't pop off.
- Clean Caps™ come standard with all KOHLER concealed toilets.
- This kit includes two bolt caps with bolts, depth gauges, T-nuts, and washers.














### Codes/Standards

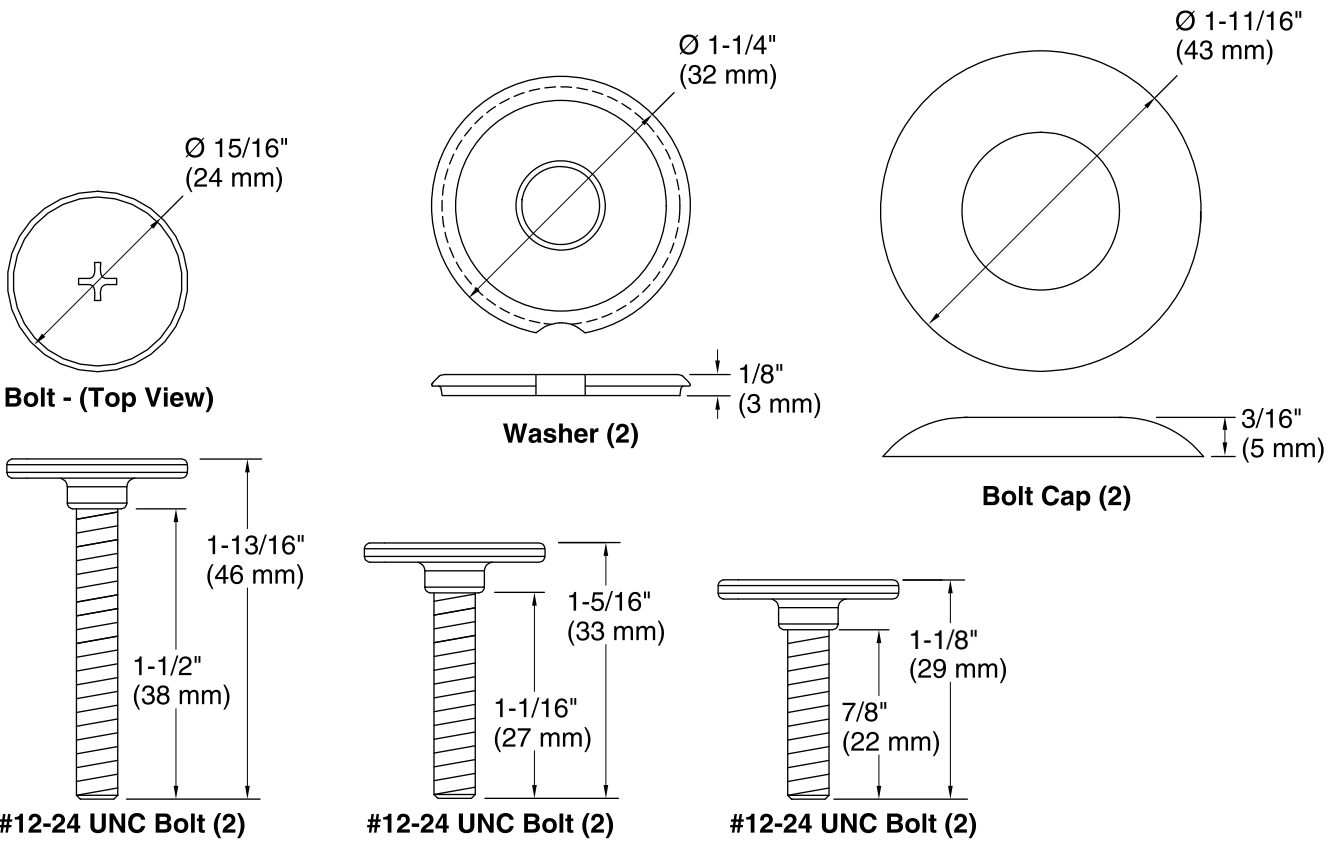
None Applicable

See website for detailed warranty information.

### Available Color/Finishes

*Color tiles intended for reference only.*

Color	Code	Description
	0	White
	96	Biscuit
	47	Almond
	NY	Dune
	55	Innocent Blush™
	95	Ice™ Grey
	G9	Sandbar
	33	Mexican Sand™
	K4	Cashmere
	58	Thunder™ Grey
	7	Black Black™



### Technical Information

All product dimensions are nominal.

### Notes

Install this product according to the installation guide.

*American  
Standard*

 BARRIER FREE

## MADERA™ FloWise® 16-1/2" HEIGHT 1.28 GPF FLUSHOMETER TOILET SYSTEM

LESS EVERCLEAN®  
SELECTRONIC® FLUSH VALVE

### MADERA™ FloWise® 16-1/2" HEIGHT 1.28 GPF FLUSHOMETER TOILET SYSTEM LESS EVERCLEAN®

➔ **3043.528** 1.28 gpf 16-1/2" Height Top Spud Bowl and  
Selectronic® Flush Valve

#### BOWL:

- Floor mount elongated flushometer valve toilet
- Vitreous china
- High Efficiency. Operates in the range of 1.1 gpf to 1.6 gpf (4.2 Lpf to 6.0 Lpf)
- Conventional glaze
- 10" or 12" rough-in
- 16-1/2" rim height for accessible application
- Condensation channel
- Powerful direct-fed siphon jet action
- Fully glazed 2-1/8" trapway
- 10" x 12" water surface area
- 1-1/2" inlet spud
- 100% factory flush tested
- Less toilet seat
- Model 3043.001

#### SELECTRONIC® FLUSH VALVE:

- Factory-Installed CR-P2 Lithium Battery
- Self-Cleaning Piston with integral wiper spring significantly reduces clogging and maintenance
- Selectronic® Proximity System with universal sensor provides hygienic, "hands free" operation
- State-of-the-Art Electronics prevent ghost flushing
- Dezincification Resistant semi-red brass alloy
- Fully Mechanical Manual Override Button can flush the valve without power
- Fail-Safe: Valve automatically closes upon loss of power or water pressure and does not need to be reset
- Adjustable Sanitary Flush cleans the fixture & maintains the trap seal.
- Stadium Feature: Valve automatically switches to water savings mode during periods of heavy usage
- Chemical Resistant EPDM Seals for extended life
- Adjustable Tailpiece for rough-in flexibility
- Can be installed left or right handed
- Model 6065.121

#### Includes:

- 047007-0070A Inlet Spud (furnished with bowl)
- 481310-100 2 Bolt caps with retainers (furnished with bowl)
- 1" I.P.S. angle stop with back-flow protection and vandal resistant cap
- 1" Sweat solder kit including cover tube and wall flange
- 1-1/2" High back pressure vacuum breaker, spud coupling and flange



SEE REVERSE FOR ROUGHING-IN DIMENSIONS

#### High-Efficiency Toilet Systems:

- 20% water savings when compared to a 1.6 gpf toilet system

#### System MaP\* Score:

- 1,000 grams of miso @ 1.28 gpf

\* Maximum Performance (MaP) testing performed by IAPMO R&T Lab. MaP Report conducted by Veritec Consulting, Inc. and Koeller and Company.

#### Battery Life:

- 4 years @ 4,000 flushes per month

#### Operating Pressure:

Overall Range: 20-125 psi\*\*

Recommended: 25 psi (flowing)-80 psi (static)

\*\* Water pressure over 80 psi is not recommended for most plumbing fixtures.

#### Flow Requirement:

25gpm (94.6 L/min.)

#### Nominal Fixture Dimensions:

718 x 356 x 419mm (28-1/4" x 14" x 16-1/2")

#### To Be Specified:

- Color:  White
- Seat:
  - American Standard #5901.100  
Heavy duty open front less cover
  - American Standard #5905.100  
Extra heavy duty open front less cover







# MADERA™ FloWise® 16-1/2" HEIGHT 1.28 GPF FLUSHOMETER TOILET SYSTEM

LESS EVERCLEAN®  
SELECTRONIC® FLUSH VALVE

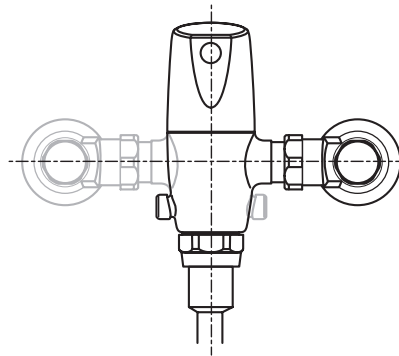
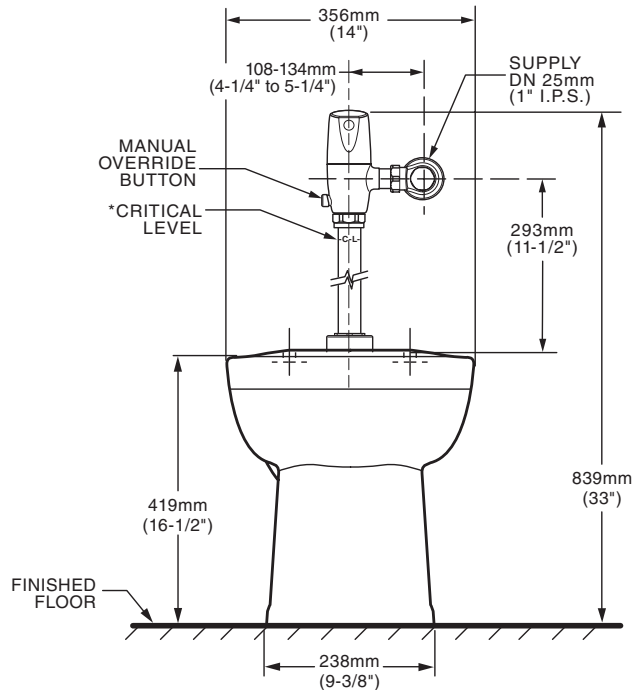
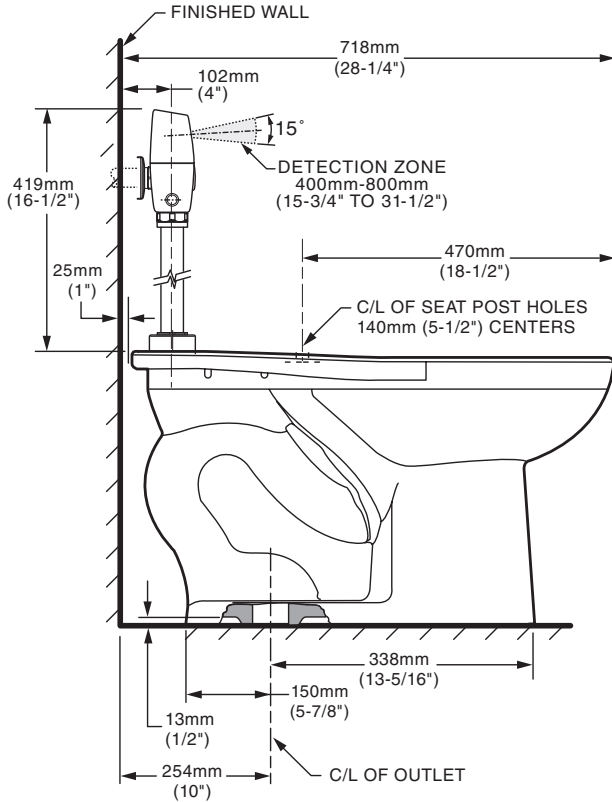
BARRIER FREE

## Fixture Compliance Certifications - Meets or Exceeds the Following Specifications:

- ASME A112.19.2-2008 / CSA B45.1-08 for Vitreous China Fixtures

## Valve Listings:

- ASSE 1037
- ANSI/ASME A112.19.2
- ADA Compliant



VALVE LEFT or RIGHT HAND INSTALLATION

\*Note: The Critical Line (-C-L-) on Vacuum Breaker must typically be a minimum of 6" (152mm) above fixture. Consult Codes for details.



**MEETS THE AMERICANS WITH DISABILITIES ACT GUIDELINES AND ANSI A117.1 REQUIREMENTS FOR ACCESSIBLE AND USABLE BUILDING FACILITIES - CHECK LOCAL CODES.**

### NOTES:

TO COMPLY WITH AREA CODE GOVERNING THE HEIGHT OF VACUUM BREAKER ON THE FLUSHOMETER VALVE, THE PLUMBER MUST VERIFY DIMENSIONS SHOWN FOR SUPPLY ROUGHING.

THIS TOILET DESIGNED TO ROUGH-IN AT A MINIMUM DIMENSION OF 254MM (10") AND A MAXIMUM DIMENSION OF 305MM (12") FROM FINISHED WALL TO C/L OF OUTLET.

**IMPORTANT:** Dimensions of fixtures are nominal and may vary within the range of tolerances established by ANSI Standard A112.19.2. These measurements are subject to change or cancellation. No responsibility is assumed for use of superseded or voided pages.



# MADERA™ FloWise® 15" HEIGHT 1.28 GPF FLUSHOMETER TOILET SYSTEM LESS EVERCLEAN® SELECTRONIC® FLUSH VALVE

## MADERA™ FloWise® 15" HEIGHT 1.28 GPF FLUSH VALVE TOILET SYSTEM LESS EVERCLEAN®

- **2234.528** 1.28 gpf 15" Height Top Spud Bowl and Selectronic® Flush Valve

### BOWL:

- Floor mount elongated flushometer valve toilet
- Vitreous china
- Conventional glaze
- High Efficiency. Operates in the range of 1.1 gpf to 1.6 gpf (4.2 Lpf to 6.0 Lpf)
- 10" or 12" rough-in
- Direct-fed siphon jet action
- Fully glazed 2-1/8" trapway
- 10" x 12" water surface area
- 1-1/2" inlet spud
- 100% factory flush tested
- Less toilet seat
- Model 2234.001

### SELECTRONIC® FLUSH VALVE:

- Factory-Installed CR-P2 Lithium Battery
- Self-Cleaning Piston with integral wiper spring significantly reduces clogging and maintenance
- Selectronic® Proximity System with universal sensor provides hygienic, "hands free" operation
- State-of-the-Art Electronics prevent ghost flushing
- Dezincification Resistant semi-red brass alloy
- Fully Mechanical Manual Override Button can flush the valve without power
- Fail-Safe: Valve automatically closes upon loss of power or water pressure and does not need to be reset
- Adjustable Sanitary Flush cleans the fixture & maintains the trap seal.
- Chemical Resistant EPDM Seals for extended life
- Adjustable Tailpiece for rough-in flexibility
- Can be installed left or right handed
- Model 6065.121

### Includes:

- 047007-0070A Inlet Spud (furnished with bowl)
- 481310-100 2 Bolt caps with retainers (furnished with bowl)
- 1" I.P.S. angle stop with back-flow protection and vandal-resistant cap
- 1" Sweat solder kit including cover tube and wall flange
- 1-1/2" High back pressure vacuum breaker with spud coupling and flange

### To Be Specified:

- Color:  White
- Seat:
  - American Standard #5901.100 Heavy duty open front less cover
  - American Standard #5905.100 Extra heavy duty open front less cover



SEE REVERSE FOR ROUGHING-IN DIMENSIONS

### High-Efficiency Toilet Systems:

- 20% water savings when compared to a 1.6 gpf toilet system

### System MaP\* Score:

- 1,000 grams of miso @ 1.28 gpf

\* Maximum Performance (MaP) testing performed by IAPMO R&T Lab. MaP Report conducted by Veritec Consulting, Inc. and Koeller and Company.

### Battery Life:

- 4 years @ 4,000 flushes per month

### Operating Pressure:

Overall Range: 20-125 psi\*\*

Recommended: 25 psi (flowing)-80 psi (static)

\*\* Water pressure over 80 psi is not recommended for most plumbing fixtures.

### Flow Requirement:

25gpm (94.6 L/min.)

### Nominal Fixture Dimensions:

718 x 356 x 381mm (28-1/4" x 14" x 15")



# MADERA™ FloWise® 15" HEIGHT 1.28 GPF FLUSHOMETER TOILET SYSTEM

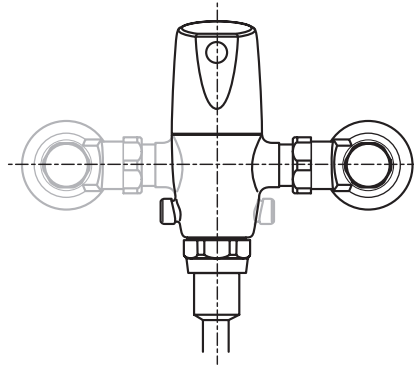
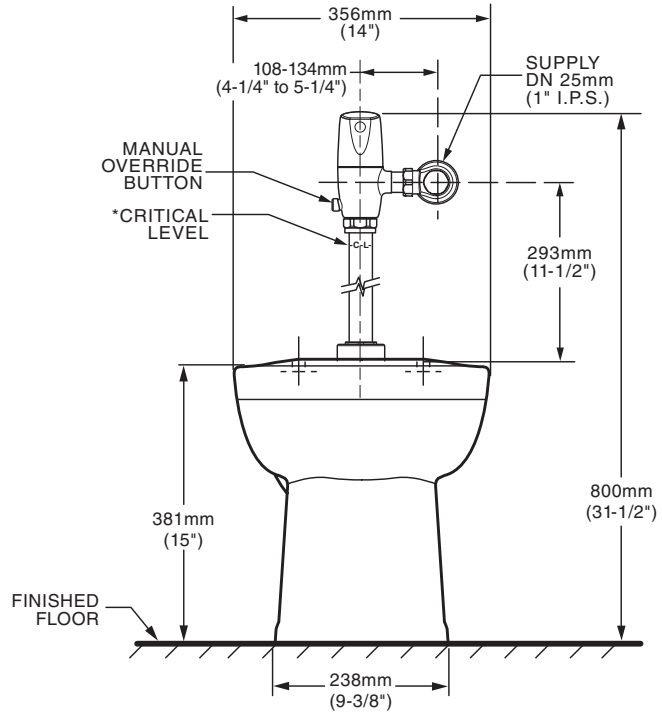
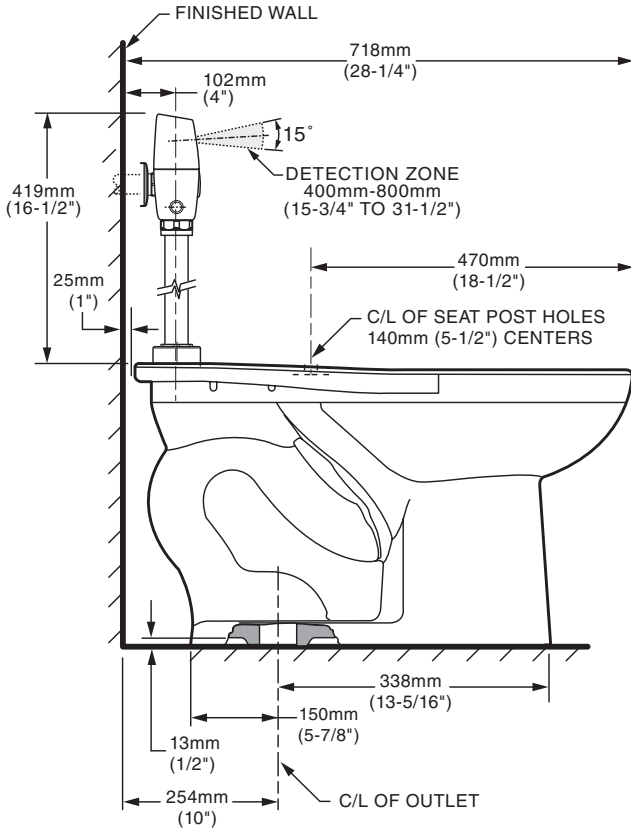
LESS EVERCLEAN®  
SELECTRONIC® FLUSH VALVE

**Fixture Compliance Certifications -  
Meets or Exceeds the Following Specifications:**

- ASME A112.19.2-2008 / CSA B45.1-08 for Vitreous China Fixtures

**Valve Listings:**

- ASSE 1037
- ANSI/ASME A112.19.2
- ADA Compliant



VALVE LEFT or RIGHT HAND INSTALLATION

\*Note: The Critical Line (-C-L-) on Vacuum Breaker must typically be a minimum of 6" (152mm) above fixture. Consult Codes for details.

**NOTES:**

TO COMPLY WITH AREA CODE GOVERNING THE HEIGHT OF VACUUM BREAKER ON THE FLUSHOMETER VALVE, THE PLUMBER MUST VERIFY DIMENSIONS SHOWN FOR SUPPLY ROUGHING.  
THIS TOILET DESIGNED TO ROUGH-IN AT A MINIMUM DIMENSION OF 254MM (10") AND A MAXIMUM DIMENSION OF 305MM (12") FROM FINISHED WALL TO C/L OF OUTLET.

FLUSHMETER VALVE REQUIREMENTS FOR 12" (305MM) ROUGH-IN:  
SWEAT EXTENSION NIPPLE IS REQUIRED.  
REFER TO VALVE MANUFACTURER AND LOCAL CODES

**IMPORTANT:** Dimensions of fixtures are nominal and may vary within the range of tolerances established by ANSI Standard A112.19.2. These measurements are subject to change or cancellation. No responsibility is assumed for use of superseded or voided pages.

*American  
Standard*

## SELECTRONIC® SENSOR-OPERATED TOILET FLUSH VALVE, 1.28 GPF BATTERY POWERED



### GENERAL DESCRIPTION:

Exposed, sensor-operated Selectronic® Toilet Flush Valve for floor-mounted or wall-hung 1-1/2" top spud flushometer bowls. CR-P2 lithium battery powered.

### PRODUCT FEATURES:

- **Factory-Installed CR-P2 Lithium Battery**
- **Self-Cleaning Piston** with integral wiper spring significantly reduces clogging and maintenance
- **Selectronic® Proximity System** with universal sensor provides hygienic, "hands free" operation
- **State-of-the-Art Electronics** prevent ghost flushing
- **Dezincification Resistant** semi-red brass alloy
- **Fully Mechanical Manual Override Button** can flush the valve without power
- **Fail-Safe:** Valve automatically closes upon loss of power or water pressure and does not need to be reset
- **Adjustable Sanitary Flush** cleans the fixture & maintains the trap seal.
- **Stadium Feature:** Valve automatically switches to water savings mode during periods of heavy usage
- **Chemical Resistant EPDM Seals** for extended life
- **High Back Pressure Vacuum Breaker**
- **Adjustable Tailpiece**
- **Range can be adjusted manually or with optional remote control**
- **No external volume adjustment.**
- **Can be installed left or right handed**

### MODEL NUMBER:

- ➔ **6065.121.002** Exposed, sensor-operated flush valve for 1-1/2" top spud flushometer bowls, 1.28 gpf.

Inlet includes 1" sweat solder kit and angle stop with back flow protection and vandal-resistant cap.

Outlet includes 1-1/2" high back pressure vacuum breaker with spud coupling and flange.

- ☐ **6065.525.002** Retrofit Valve Only, 1.28 gpf

### OPERATING PRESSURE:

Overall Range: 20-125 psi\*\*

Recommended: 25 psi (flowing) - 80 psi (static)

\*\* Water pressure over 80 psi is not recommended for most plumbing fixtures.

### FLOW REQUIREMENT:

25 gpm (94.6 L/min.)

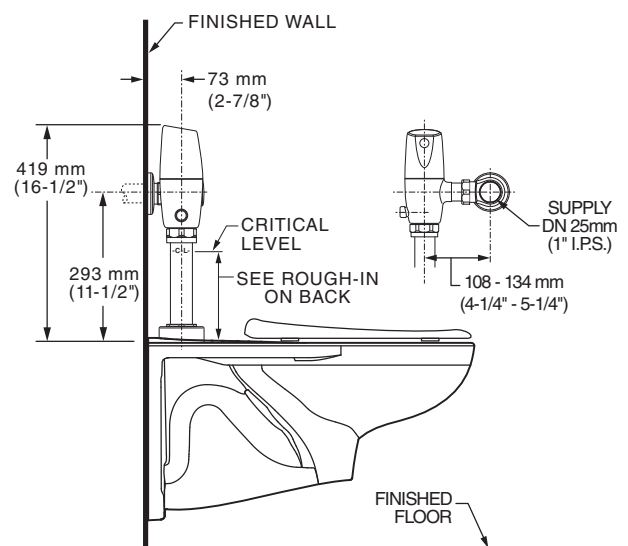
### BATTERY LIFE:

4 years

### OPTIONAL ACCESSORIES:

- Cast wall flanges: 1" (6065.810) & 1-1/2" (6065.815)
- Solid ring pipe supports: 2-1/2" C-E (6065.821) & 6" C-E (6065.861)
- Split ring pipe supports: 2-1/2" C-E (6065.822) & 6" C-E (6065.862)

### TYPICAL WATER CLOSET INSTALLATION: AFWALL™ TOILET SHOWN



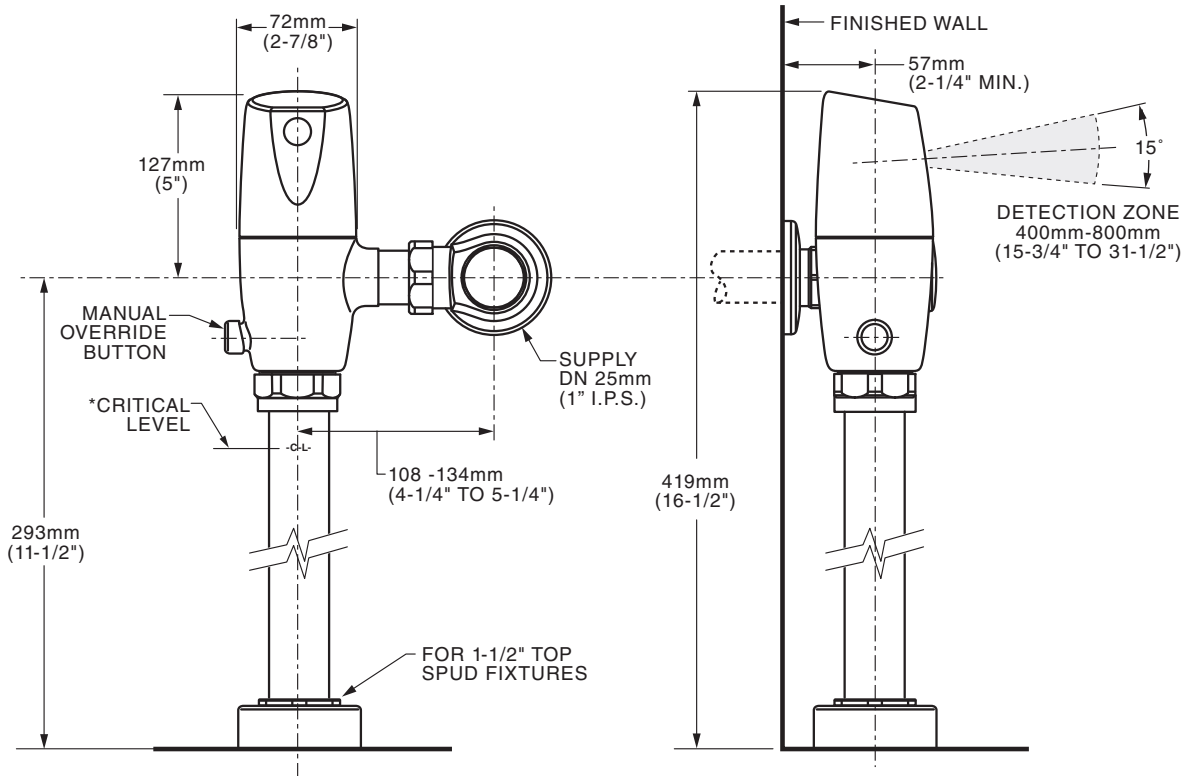
### RECOMMENDED SPECIFICATION:

Electronic, sensor activated toilet flush valve shall feature self-cleaning piston valve with integral wiper spring in refill orifice to prevent clogging. Includes a factory-installed CR-P2 lithium battery and fully mechanical manual override that can flush the valve without power. Includes semi-red brass valve body and metal cover with chrome finish. Includes angle stop with back-flow protection & vandal-resistant cap. Sweat solder kit and high back pressure vacuum breaker also included. 1.28 gpf / 4.8 Lpf flush valve shall be American Standard Model # 6065.121.002.

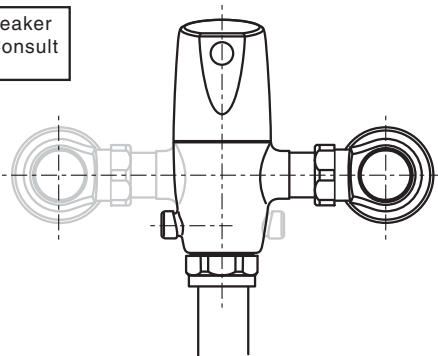
**LISTINGS:**

- ASSE 1037
- ANSI/ASME A112.19.2
- ADA Compliant

**Roughing-in Dimensions**



\*Note: The Critical Line (-C-L-) on Vacuum Breaker must typically be 6" (152mm) above fixture. Consult Codes for details.



**Right or Left Hand Installation**

*American  
Standard*

## SELECTRONIC® SENSOR-OPERATED URINAL FLUSH VALVE, 0.125 GPF BATTERY POWERED



### GENERAL DESCRIPTION:

Exposed, sensor-operated Selectronic® Urinal Flush Valve for 3/4" top spud urinals. CR-P2 lithium battery powered.

### PRODUCT FEATURES:

- **Factory-Installed CR-P2 Lithium Battery**
- **Pressure Compensation** feature ensures accurate flush volume regardless of inlet water pressure
- **Self-Cleaning Piston** with integral wiper spring significantly reduces clogging and maintenance
- **Selectronic® Proximity System** with universal sensor provides hygienic, "hands free" operation
- **State-of-the-Art Electronics** prevent ghost flushing
- **Dezincification Resistant** semi-red brass alloy
- **Fully Mechanical Manual Override Button** can flush the valve without power
- **Fail-Safe:** Valve automatically closes upon loss of power or water pressure and does not need to be reset
- **Adjustable Sanitary Flush** cleans the fixture & maintains the trap seal.
- **Stadium Feature:** Valve automatically switches to water savings mode during periods of heavy usage
- **Chemical Resistant EPDM Seals** for extended life
- **High Back Pressure Vacuum Breaker**
- **Adjustable Tailpiece**
- **Range can be adjusted manually or with optional remote control**
- **No external volume adjustment.**
- **Can be installed left or right handed**

### MODEL NUMBER:

- ➡ **6063.013.002** Exposed, sensor-operated flush valve for 3/4" top spud urinals, 0.125 gpf.  
Inlet includes 3/4" sweat solder kit and angle stop with back flow protection and vandal-resistant cap.  
Outlet includes 3/4" high back pressure vacuum breaker with spud coupling and flange.
- ☐ **6063.513.002** Retrofit Valve Only, 0.125 gpf

### OPERATING PRESSURE:

20 psi (flowing) - 80 psi (static)

### FLOW REQUIREMENT:

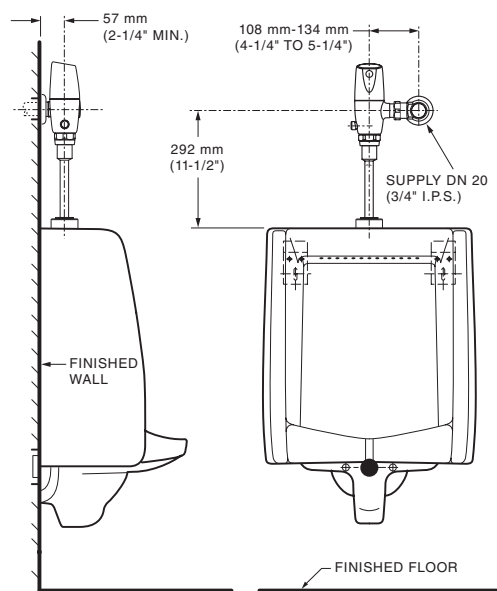
10 gpm (37.9 L/min.)

### BATTERY LIFE:

4 years

### OPTIONAL ACCESSORY:

- Cast wall flange with set screw (6065816.002)
- 12-1/2" long vacuum breaker (M964446-0020A)  
- 4" longer than standard



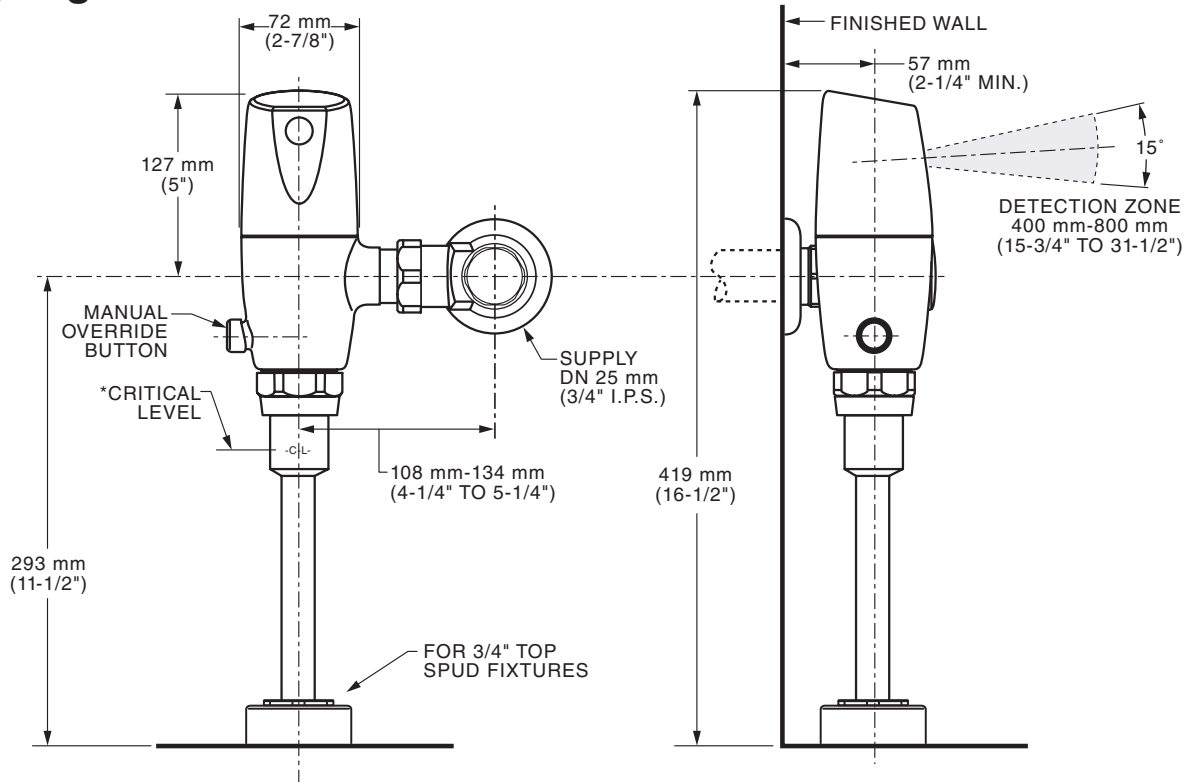
### RECOMMENDED SPECIFICATION:

Electronic, sensor activated urinal flush valve shall feature self-cleaning piston valve with integral wiper spring in refill orifice to prevent clogging. Includes a factory-installed CR-P2 lithium battery and fully mechanical manual override that can flush the valve without power. Includes semi-red brass valve body and metal cover with chrome finish. Includes angle stop with back-flow protection & vandal-resistant cap. Sweat solder kit and high back pressure vacuum breaker also included. 0.125 gpf / 0.5 Lpf flush valve shall be American Standard Model # 6063.013.002.

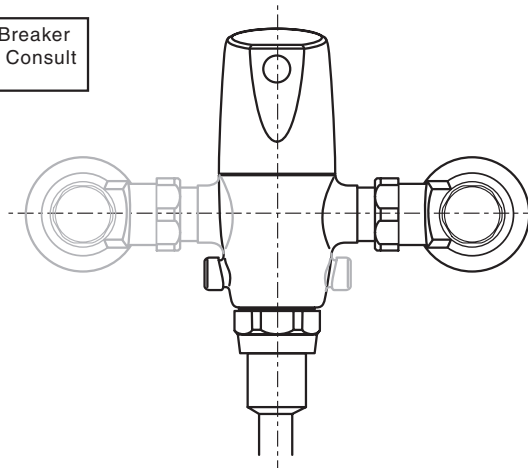
**LISTINGS:**

- ASSE 1037
- ANSI/ASME A112.19.2
- ADA Compliant

**Roughing-in Dimensions**



\*Note: The Critical Line (-C-L-) on Vacuum Breaker must typically be 6" (152mm) above fixture. Consult Codes for details.

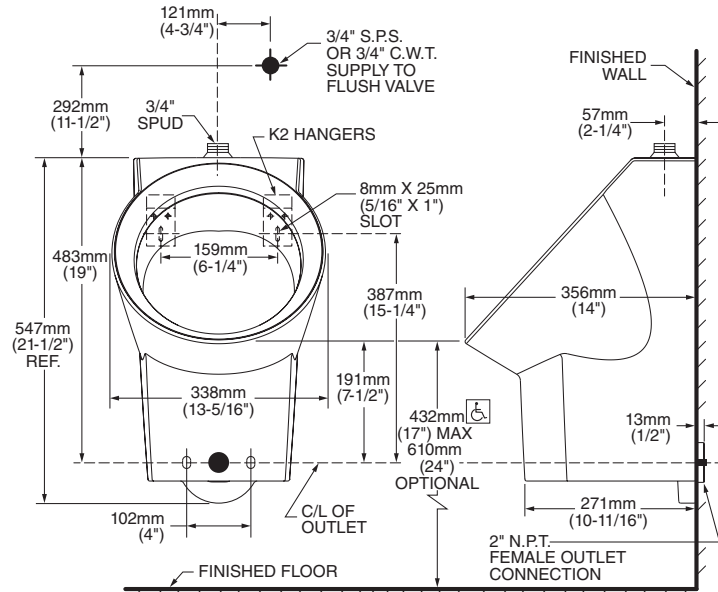


**Right or Left Hand Installation**

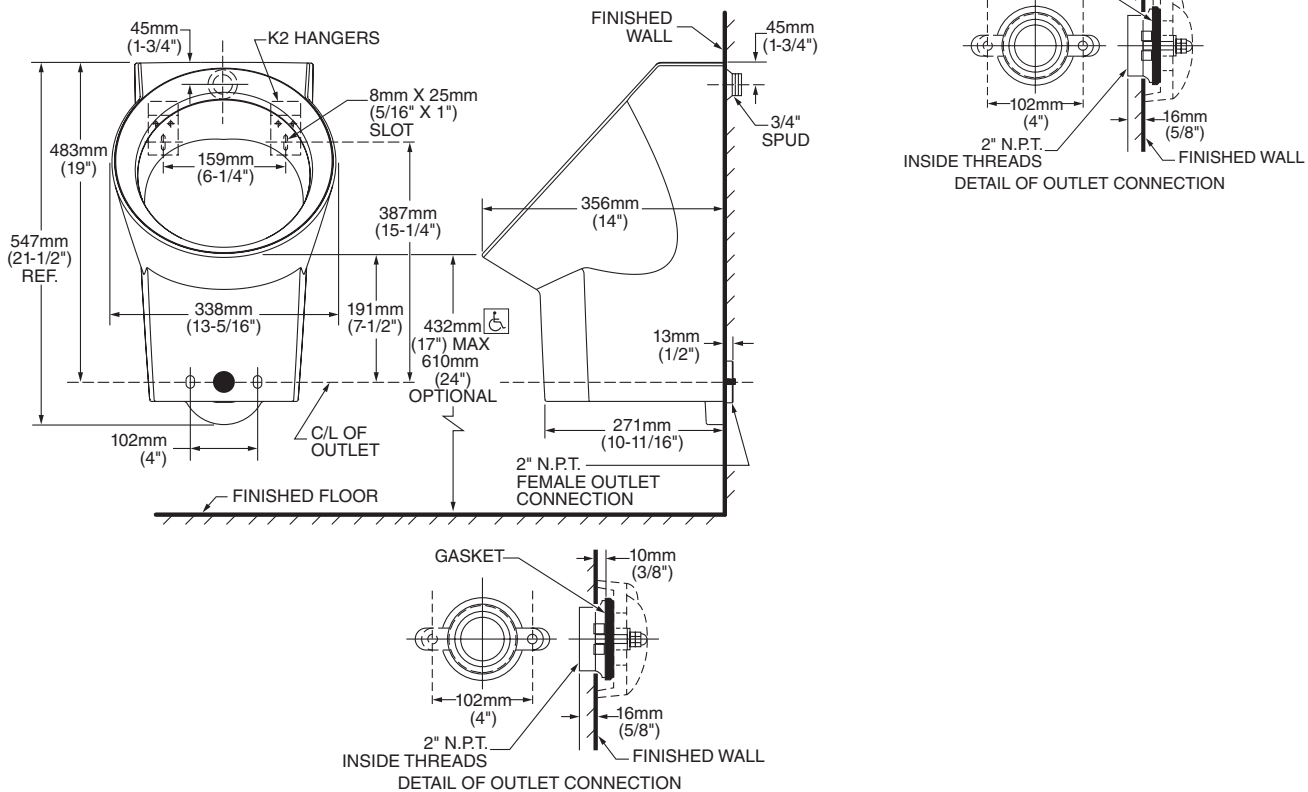
 MEETS THE AMERICANS WITH DISABILITIES ACT GUIDELINES AND ANSI A117.1 REQUIREMENTS FOR ACCESSIBLE AND USABLE BUILDING FACILITIES-CHECK LOCAL CODES

PART OF **LIXIL**

**6042.001EC TOP SPUD**



**6043.001EC BACK SPUD**



**NOTES:**  
FLUSH VALVE NOT INCLUDED WITH FIXTURE AND MUST BE ORDERED SEPARATELY.  
PROVIDE SUITABLE REINFORCEMENT FOR ALL WALL SUPPORTS.

**IMPORTANT:** Dimensions of fixtures are nominal and may vary within the range of tolerances established by ANSI Standard A112.19.2. These measurements are subject to change or cancellation. No responsibility is assumed for use of superseded or voided pages.



MEETS THE AMERICANS WITH DISABILITIES ACT GUIDELINES AND ANSI A117.1 ACCESSIBLE AND USEABLE BUILDINGS AND FACILITIES - CHECK LOCAL CODES.

● When installed so top of rim is 432mm (17") from finished floor.





BARRIER FREE

## DECORUM® 0.125 GPF HIGH EFFICIENCY URINAL VITREOUS CHINA

### DECORUM® 0.125 GPF HIGH EFFICIENCY URINAL

- Sleek, modern, compact vitreous china design
- Deep sump reduces splashing
- Washout urinal works at 0.125 gpf (0.47 Lpf)
- Permanent EverClean® surface inhibits the growth of stain and odor-causing bacteria, mold, and mildew on the surface
- 3/4" inlet spud with outlet connection threaded 2" inside (NPTF)
- Wall hangers included
- Fixture with strainer included
- ADA compliant
- Meets ANSI flush requirements at 0.125 GPF
- Meets California water savings regulations

- 6042.001EC Top spud
- 6043.001EC Back spud

#### Nominal Dimensions:

356 x 338 x 546mm  
(14" x 13-5/16" x 21-1/2")

Recommended working pressure – between  
20 psi at valve when flushing and 80 psi static

#### Compliance Certifications -

#### Meets or Exceeds the Following Specifications:

- ASME A112.19.2-2008/CSA B45.1-08 for Vitreous China Fixtures

#### To Be Specified:

- Color:  White
- Flush Valve:
  - 0.125 gpf Flush Valve: Sensor-Operated:
    - American Standard Selectronic® #6063.013.002 DC Power (Top Spud)
    - American Standard Selectronic® #6062.301.007 AC Power (Back Spud)
  - 0.125 gpf Flush Valve: Manual-Operated:
    - American Standard #6045.013.002



SEE REVERSE FOR ROUGHING-IN DIMENSIONS

EVERCLEAN®  
Surface

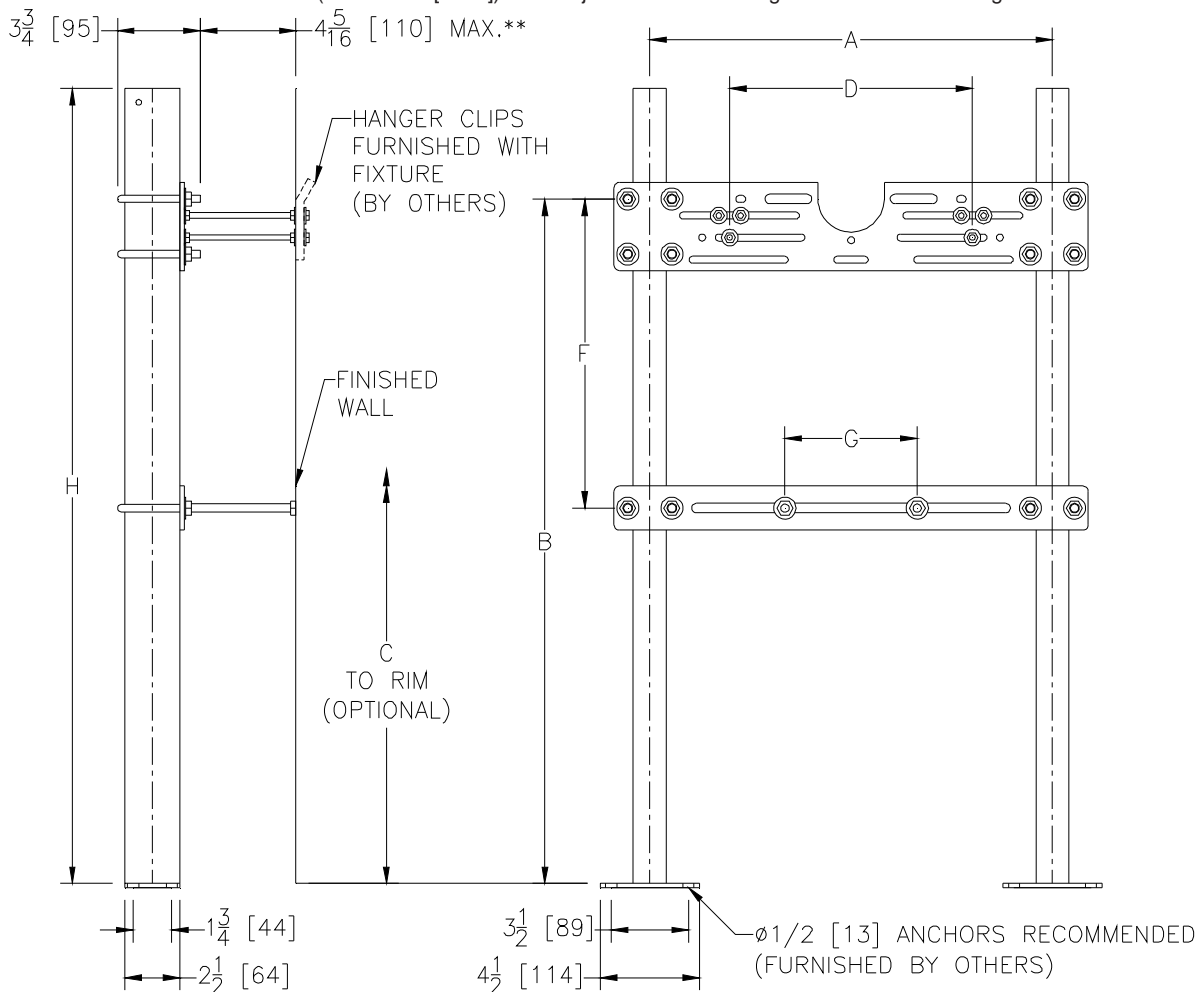


Certified by  
IAPMO R&T  
When used with  
0.125 gpf urinal  
flush valves



**Z1222**  
**PLATE TYPE SYSTEM**  
**WITH BEARING PLATE**

Dimensional Data (inches and [ mm ]) are Subject to Manufacturing Tolerances and Change Without Notice



\*\*WITH STANDARD STUD LENGTH OF 6 [152].

Product No.	Approx. Wt. Lbs. [kg]
Z1222	54 [24]

**ENGINEERING SPECIFICATION: ZURN Z1222 Wall urinal support system**  
 Complete with Dura-Coated carbon structural steel rectangular tubing uprights, conforming to ASTM A500 Grade C, with welded base feet having slotted floor anchor holes. Lower bearing plate is vertically adjustable with slot to accommodate bearing jack placement. Upper Universal hanger plate is pre-notched for back spud inlet and is designed for various hardware positions and fixtures. Includes mounting fasteners and hardware. Carrier system exceeds load and deflection requirements as outlined in ASME Standard A112.6.1M.

**OPTIONS** (Check/specify appropriate options)

**PREFIXES**

**Z** Dura-Coated System with Universal Plate\*

**SUFFIXES**

- \_\_\_ -CB Carrier Bank
- \_\_\_ -CU Floor to ceiling upright
- \_\_\_ -D Back to Back System
- \_\_\_ -EZ Easy to Install Assembly (Uprights, bearing plate, and hanger plate are factory assembled)
- \_\_\_ -SL Stud Length Greater Than 6 [152] (Specify Length)
- \_\_\_ -UA Urinal Adapter
- \_\_\_ -58 Flush Valve Supply Support

Note: Dimensional data for letter dimensions depends upon fixture type and manufacturer. See Zurn Carrier/Fixture Rough-In Information at [www.zurn.com](http://www.zurn.com) for specific rough-in dimensions.

\*REGULARLY FURNISHED UNLESS OTHERWISE SPECIFIED

<b>REV. F</b>	<b>DATE: 8/24/10</b>	<b>C.N. NO. 111591</b>
<b>DWG. NO. 58850</b>	<b>PRODUCT NO. Z1222</b>	



**COMMERCIAL HEAVY-DUTY  
PLASTIC TOILET SEAT**

**MODEL #**

**COLOR #**

**255/255SSC**

**000 - WHITE**

**DESCRIPTION :**

Open front less cover, elongated, heavy-duty, injection molded solid plastic toilet seat. Features two molded-in bumpers, non self-sustaining (255) or self-sustaining (255SSC) check hinges with non-corrosive 300 Series stainless steel posts, pintles and hardware. This seat complies with IAPMO/ANSI Z124.5-2013 Plastic Toilet Seats as a class Commercial Heavy Duty.

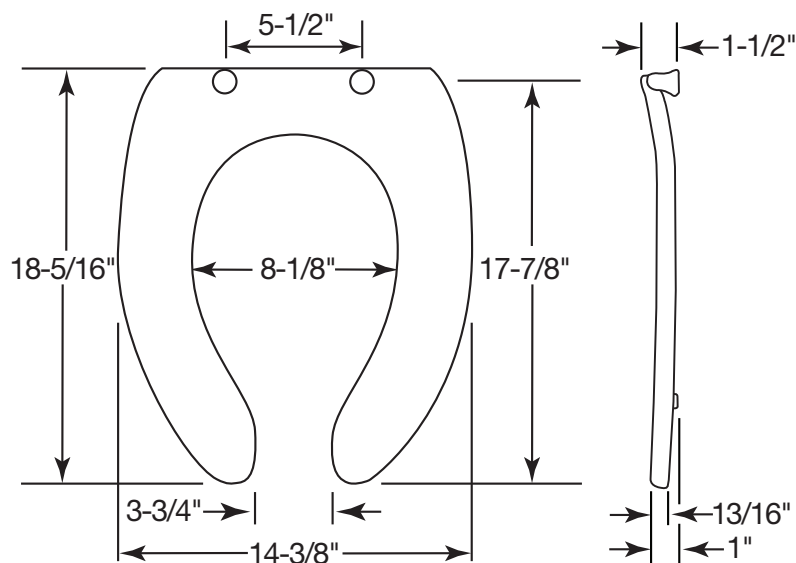
**SPECIFICATIONS :**

- Size: Elongated
- Material: Plastic
- Style: Open Front less Cover
- Bumpers: Two
- Hinges: Plastic Non Self-Sustaining (255) or Self-Sustaining (255SSC) with 300 Series Stainless Steel Posts and Pintles
- Fastening System: Non-Corrosive 300 Series Stainless Steel Nuts

**FEATURES :**

**Non-Corrosive 300 Series Stainless Steel Posts, Pintles and Nuts**

**DIMENSIONS :**



**PLASTIC HINGES WITH  
STAINLESS STEEL POSTS  
AND PINTLES**



**NON-CORROSIVE  
STAINLESS STEEL NUTS**



**COMMERCIAL HEAVY-DUTY  
PLASTIC TOILET SEAT**

**MODEL #**

**COLOR #**

**255/255SSC**

**000 - WHITE**

**DESCRIPTION :**

Open front less cover, elongated, heavy-duty, injection molded solid plastic toilet seat. Features two molded-in bumpers, non self-sustaining (255) or self-sustaining (255SSC) check hinges with non-corrosive 300 Series stainless steel posts, pintles and hardware. This seat complies with IAPMO/ANSI Z124.5-2013 Plastic Toilet Seats as a class Commercial Heavy Duty.

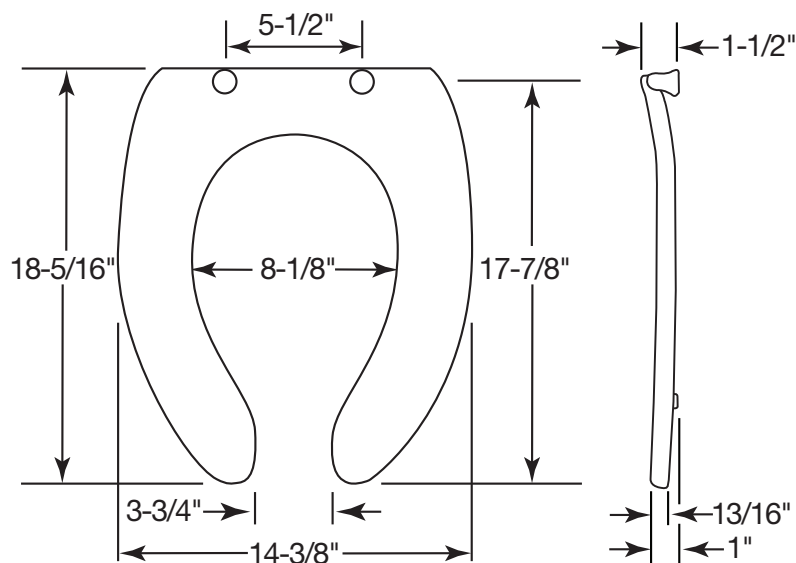
**SPECIFICATIONS :**

- Size: Elongated
- Material: Plastic
- Style: Open Front less Cover
- Bumpers: Two
- Hinges: Plastic Non Self-Sustaining (255) or Self-Sustaining (255SSC) with 300 Series Stainless Steel Posts and Pintles
- Fastening System: Non-Corrosive 300 Series Stainless Steel Nuts

**FEATURES :**

**Non-Corrosive 300 Series Stainless Steel Posts, Pintles and Nuts**

**DIMENSIONS :**



**PLASTIC HINGES WITH  
STAINLESS STEEL POSTS  
AND PINTLES**



**NON-CORROSIVE  
STAINLESS STEEL NUTS**



Project Name: **V1.3 Prototypical Architectural Specs**  
 Project #: **Tru by Hilton**

Item Number: **TA-01-B**  
 Item Description: **Glass Shower Enclosure @ Guest Shower (OPTION B)**

Issue Date: **03/01/17**  
 Revision(s):

Item Quantity:

Manufacturer: **REQUIRED VENDOR**  
 Address:

Source: **Mincey Marble Manufacturing Inc.**  
 Address: **4321 Browns Bridge Rd.  
 Gainesville GA 30504-**

Phone:

Phone: **(678) 997-2770** 800#: **(800) 533-1806**

Fax:

Fax: **(770) 531-0935**

Contact:

Contact: **Donna Mincey**

E-mail:

E-mail: **dmincey@minceymarble.com**

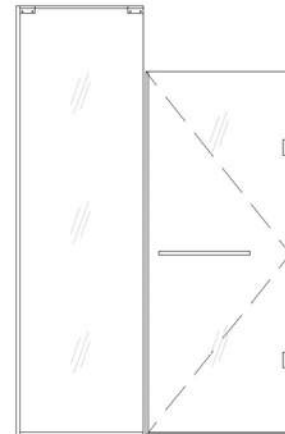
Web:

Web: **www.minceymarble.com**

Product: **Hinged Shower Door w/ Fixed Side Panel / MM-HINGED-PS-10M**

Color/Finish: **Polished Silver Hardware**

Size/Dimensions: **48"OAW; 28-3/8"W x 75"H Pivot Door and an approx. 12"W Fixed Side Panel (height - V.I.F.)**



Notes: **FABRICATOR MUST VERIFY FIELD MEASUREMENTS PRIOR TO FABRICATION.**

Pivot door and fixed side panel to be 10mm thick clear tempered glass. Pivot door to be wall mounted.

Handle **MUST** be included and installed horizontally - measuring 18"W x 2"D x 1"DIA mounted 36-1/8" above shower pan surface/ stainless steel finish. Refer to architectural drawings for location of right or left handed doors.

Fixed side panel to extend to ceiling. Verify ceiling height prior to fabrication.

Provide all associated hardware required. Any exposed hardware to be stainless steel finish.

Refer to architectural drawings for further details.

Required Item(s) for Designer Approval Prior to Fabrication:

Prepared By: **AMC**

<input type="checkbox"/> Seaming Diagram	<input type="checkbox"/> Strike-Off	<input checked="" type="checkbox"/> Finish Sample	<input type="checkbox"/> Cutting	<input type="checkbox"/> Shop Dwgs	<input type="checkbox"/> Prototype	<input type="checkbox"/> Flame Certificate
--	-------------------------------------	---	----------------------------------	------------------------------------	------------------------------------	--

Instructions:

- All interpretations of these specifications **MUST** be submitted to Hilton for final approval prior to purchasing or implementation of any material.



Project Name: **V1.3 Prototypical Architectural Specs**

Item Number: **TA-01-B**

Project #: **Tru by Hilton**

Item Description: **Glass Shower Enclosure @ Guest Shower (OPTION B)**

Issue Date: **03/01/17**

---

Item Quantity:

---

Manufacturer: **REQUIRED VENDOR**

Source: **Mincey Marble Manufacturing Inc.**

---

Instructions:

- Must be of contract quality and suitable for commercial use.
- Installation must meet manufacturer's suggested guidelines and/or follow installation guidelines in accordance with Architect's specification.
- All materials & methods of construction must comply with all local fire & life safety codes for use in hotels, and Tru by Hilton Standards.
- All quantities to be verified by hotel operator prior to purchasing.



Project Name: **V1.3 Prototypical Architectural Specs**  
 Project #: **Tru by Hilton**

Item Number: **TA-02-A**  
 Item Description: **Shower Surround @ Guest Bath (OPTION A)**

Issue Date: **03/01/17**  
 Revision(s):

Item Quantity:

Manufacturer: **REQUIRED VENDOR**  
 Address:

Source: **Kohler Company**  
 Address: **444 Highland Drive  
 Kohler WI 53044-**

Phone:

Phone:

Fax:

Fax:

Mobile: (513) 250-5482

Contact:

Contact: **Bill Berger**

E-mail:

E-mail: **bill.berger@kohler.com**

Web:

Web: **ww.kohler.com**

Product: **Choreograph / Brick Texture**  
 Color/Finish: **T01-0 White / Matte finish**  
 Size/Dimensions: **See Notes**



Notes: **Panels to extend from top of shower pan to ceiling - cut in field as required.  
 Finished edge of side walls to align with front edge of shower pan.**

**CONTRACTOR MUST COORDINATE WALL PANEL SIZES WITH SHOWER OPENING.  
 Refer to architectural drawings for locations.**

**Provide the following:  
 (2) 36"W x 96"H Brick Texture Wall Panels  
 (1) 48"W x 96"H Brick Texture Wall Panel (at standard shower enclosures)  
 (1) 60"W x 96"H Brick Texture Wall Panel (at accessible shower enclosures)  
 (2) 96"H corner joints #K-97635-0 / color WHITE**

Required Item(s) for Designer Approval Prior to Fabrication:

Prepared By: **AMC**

<input type="checkbox"/> Seaming Diagram	<input type="checkbox"/> Strike-Off	<input checked="" type="checkbox"/> Finish Sample	<input type="checkbox"/> Cutting	<input type="checkbox"/> Shop Dwgs	<input type="checkbox"/> Prototype	<input type="checkbox"/> Flame Certificate
--	-------------------------------------	---	----------------------------------	------------------------------------	------------------------------------	--

Instructions:

- All interpretations of these specifications **MUST** be submitted to Hilton for final approval prior to purchasing or implementation of any material.
- Must be of contract quality and suitable for commercial use.
- Installation must meet manufacturer's suggested guidelines and/or follow installation guidelines in accordance with Architect's specification.



Hilton

Project Name: **V1.3 Prototypical Architectural Specs**

Item Number: **TA-02-A**

Project #: **Tru by Hilton**

Item Description: **Shower Surround @ Guest Bath  
(OPTION A)**

Issue Date: **03/01/17**

---

Item Quantity:

---

Manufacturer: **REQUIRED VENDOR**

Source: **Kohler Company**

---

Instructions:

- All materials & methods of construction must comply with all local fire & life safety codes for use in hotels, and Tru by Hilton Standards.
- All quantities to be verified by hotel operator prior to purchasing.



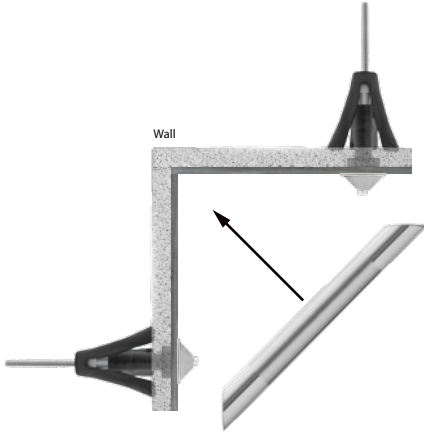


# WINGITS® Tubular Corner Foot Rest Peened

**Model:**  
**WFRTC**

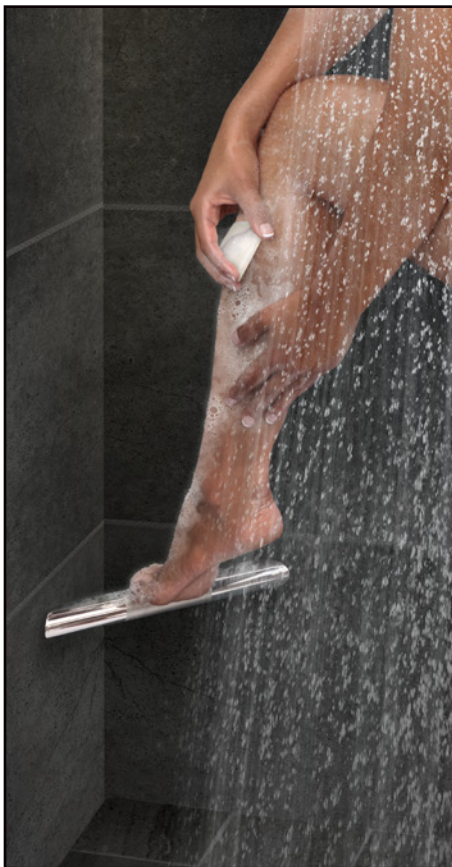
**Part Numbers:**  
**WFRTC8PSPE**  
8" Polished  
Peened Finish

**WFRTC8SNPE**  
8" Satin  
Peened Finish



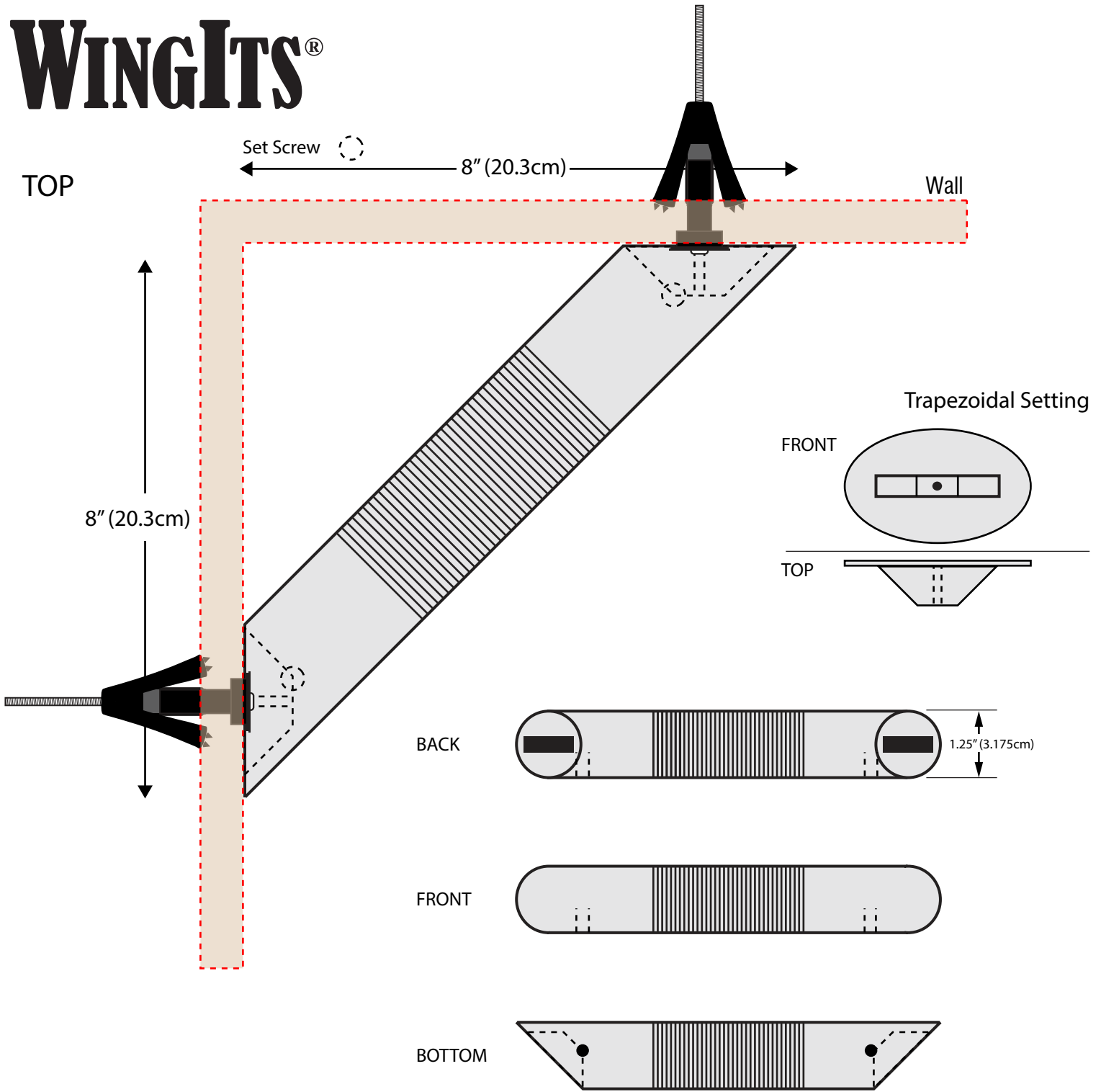
Contemporary design combines with structural durability resulting in the World's Strongest Foot Rest with:

- Structural 18/8 (304) Stainless Steel
- Beauty-Functionality-Durability
- No lines for dirt to collect - maintenance free
- Unparalleled strength
- Anti-Slip Grip
- Includes 2 FREE MASTER™ Anchors - for Guaranteed Installation

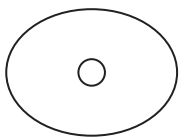


<b>MECHANICAL DATA</b>
<b>Length:</b> 8" (20.3cm)
<b>Projection:</b> 8" (20.3cm)
<b>Height:</b> 1.25" (3.175cm)
<b>PRODUCT COMPOSITION</b>
Entire product is stainless steel.
<b>MODALITY</b>
<b>Use:</b> Watertight wall installation.
<b>INSTALLATION</b>
<b>WingIts®</b> Tubular Corner Foot Rest is designed to be installed into adequate structural blocking or with <b>WingIts®</b> Fasteners (MAWME40).
<b>RECOMMENDED INTEGRATION</b>
For hollow wall construction, use <b>WingIts®</b> Fasteners (MAWME40).

# WINGITS®



## INCLUDED HARDWARE



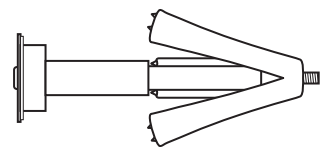
3M VHB Waterproof Tape x 2



Allen Wrench x 1



Set Screw x 2



Wingits® MASTER Anchor™ Fastener (MAWME40) x 2 for Hollow Wall



Project Name: **V1.3 Prototypical Architectural Specs**  
Project #: **Tru by Hilton**

Item Number: **TA-03-B**  
Item Description: **Dual Toilet Paper Holder @ Guest Bath (OPTION B)**

Issue Date: **06/08/17**  
Revision(s):

Item Quantity:

Manufacturer: **REQUIRED VENDOR**  
Address:

Source: **Gatco, Inc.**  
Address: **1550 Factor Avenue  
San Leandro CA 94577 United States of America**

Phone:

Phone: **(800) 227-5640**

Fax:

Fax: **(510) 895-5676**

Contact:

Contact: **Michael I. Goffstein**

E-mail:

E-mail: **michael@gatcoinc.com**

Web:

Web: **www.gatcoinc.com**

Product: **\*Latitude2 Surface Mounted Tissue Holder / 4243A**

Color/Finish: **Chrome**

Size/Dimensions: **\*14"W x 3.25" projection**



Required Item(s) for Designer Approval Prior to Fabrication:

Prepared By: AMC

<input type="checkbox"/> Seaming Diagram	<input type="checkbox"/> Strike-Off	<input checked="" type="checkbox"/> Finish Sample	<input type="checkbox"/> Cutting	<input type="checkbox"/> Shop Dwgs	<input type="checkbox"/> Prototype	<input type="checkbox"/> Flame Certificate
--	-------------------------------------	---	----------------------------------	------------------------------------	------------------------------------	--

Instructions:

- All interpretations of these specifications MUST be submitted to Hilton for final approval prior to purchasing or implementation of any material.
- Must be of contract quality and suitable for commercial use.
- Installation must meet manufacturer's suggested guidelines and/or follow installation guidelines in accordance with Architect's specification.
- All materials & methods of construction must comply with all local fire & life safety codes for use in hotels, and Tru by Hilton Standards.
- All quantities to be verified by hotel operator prior to purchasing.

# WINGITS® CONTOUR™

## Round Flange Single Robe Hook

**SUPPLIED BY OWNER UNDER FF&E**

**Model:**  
**WCONSRH**

**Part Numbers:**  
**WCONSRHPS**      **WCONSRHSN**  
 Polished Finish      Satin Finish

**COLOR TO MATCH TIGER DRYLAC RAL #3002**



**RAL 3002**

**49/31110**



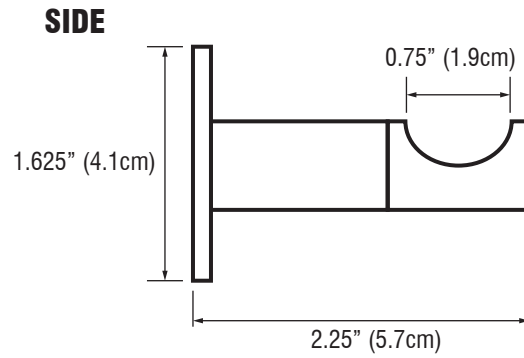
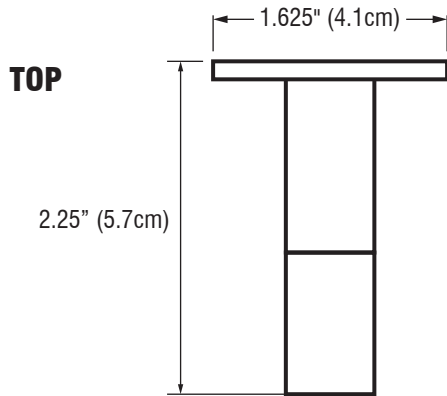
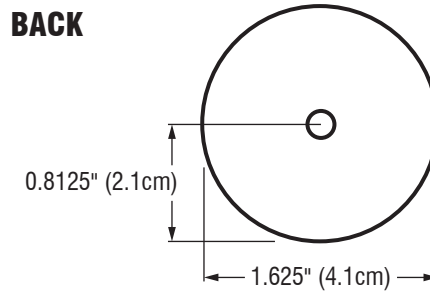
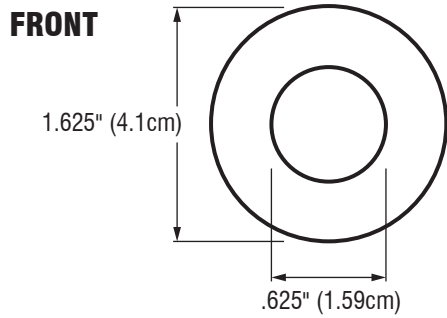
Contemporary design combines with a fully HeliArc welded construction, resulting in a Single Robe Hook with:

- Structural Stainless Steel
- Beauty-Functionality-Durability
- No lines for dirt to collect - maintenance free
- Unparalleled strength

**SPARK FFE PACKAGE - SEE FINAL FFE PACKAGE TO CONFIRM**

<b>MECHANICAL DATA</b>
<p><b>Height:</b> 1.625" (4.1cm)  <b>Length:</b> 1.625" (4.1cm)  <b>Projection:</b> 2.25" (5.7cm)</p>
<b>PRODUCT COMPOSITION</b>
<p>Entire product is solid 18/8 (304) HeliArc welded stainless steel.</p>
<b>MODALITY</b>
<p><b>Use:</b> Can be used in vertical or horizontal position.</p>
<b>INSTALLATION</b>
<p><b>WingIts® CONTOUR™</b> Single Robe Hooks are designed to be <b>installed into adequate structural blocking</b> or with optional <b>WingIts®</b> Fastener.</p>
<b>RECOMMENDED INTEGRATION</b>
<p>It is recommended that <b>WingIts® MASTER Anchor™</b> for CONTOUR™ Bath Accessories (MAWME35) is used with this product.</p>

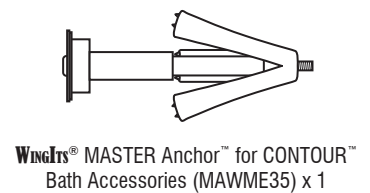
# WINGITS®



**INCLUDED HARDWARE**



**OPTIONAL HARDWARE**  
(Sold Separately)





Project Name: **V1.3 Prototypical Architectural Specs**  
 Project #: **Tru by Hilton**

Item Number: **TA-06-A**  
 Item Description: **Decorative Grab Bar @ Guest Bath Shower (OPTION A)**

Issue Date: **03/01/17**  
 Revision(s):

Item Quantity:

Manufacturer: WingIt Innovations, LLC  
 Address: 714 5th Avenue, P.O. Box 97  
 Bradley Beach NJ 07720-

Source: WingIt Innovations, LLC  
 Address: 714 5th Avenue, P.O. Box 97  
 Bradley Beach NJ 07720-

Phone: (732) 869-4466 800# : (877) 894-6448

Phone: (732) 869-4466 800#: (877) 894-6448

Fax: (732) 869-9474

Fax: (732) 869-9474

Contact: Salvatore Sisto

Contact: Salvatore Sisto

E-mail: sal@wingits.com

E-mail: sal@wingits.com

Web: www.wingits.com

Web: www.wingits.com

Product: WGB5MEPS24/ Modern Elegance Grab Bar  
 Color/Finish: Stainless Steel/ Polished Finish  
 Size/Dimensions: 24"W x 2"H x 2.75"D

Notes: Refer to architectural drawings for location and mounting height.



Required Item(s) for Designer Approval Prior to Fabrication:

Prepared By: AMC

<input type="checkbox"/> Seaming Diagram	<input type="checkbox"/> Strike-Off	<input checked="" type="checkbox"/> Finish Sample	<input type="checkbox"/> Cutting	<input type="checkbox"/> Shop Dwgs	<input type="checkbox"/> Prototype	<input type="checkbox"/> Flame Certificate
--	-------------------------------------	---	----------------------------------	------------------------------------	------------------------------------	--

Instructions:

- All interpretations of these specifications MUST be submitted to Hilton for final approval prior to purchasing or implementation of any material.
- Must be of contract quality and suitable for commercial use.
- Installation must meet manufacturer's suggested guidelines and/or follow installation guidelines in accordance with Architect's specification.
- All materials & methods of construction must comply with all local fire & life safety codes for use in hotels, and Tru by Hilton Standards.
- All quantities to be verified by hotel operator prior to purchasing.



Project Name: **V1.3 Prototypical Architectural Specs**  
 Project #: **Tru by Hilton**

Item Number: **TA-06-D**  
 Item Description: **Decorative Grab Bar @ Guest Bath Shower (OPTION D)**

Issue Date: **03/01/17**

Revision(s):

Item Quantity:

Manufacturer: Kohler Company  
 Address: 444 Highland Drive  
 Kohler WI 53044 United States of America  
 Phone: (800) 421-9559 800# : (805) 402-1335  
 voice mail  
 Fax: (805) 496-0129  
 Contact: Doug Johnston  
 E-mail: douglas.johnston@kohler.com  
 Web: http://www.kohler.com

Source: Kohler Company  
 Address: 444 Highland Drive  
 Kohler WI 53044-  
 Phone:  
 Fax: Mobile: (513) 250-5482  
 Contact: Bill Berger  
 E-mail: bill.berger@kohler.com  
 Web: ww.kohler.com

Product: Purist 24" Grab Bar / K-11893-S  
 Color/Finish: Polished Stainless  
 Size/Dimensions: 24"W x 2-3/4"D x 2-7/16"H

Notes: Refer to architectural drawings for location and mounting height.



Required Item(s) for Designer Approval Prior to Fabrication:

Prepared By: AMC

<input type="checkbox"/> Seaming Diagram	<input type="checkbox"/> Strike-Off	<input checked="" type="checkbox"/> Finish Sample	<input type="checkbox"/> Cutting	<input type="checkbox"/> Shop Dwgs	<input type="checkbox"/> Prototype	<input type="checkbox"/> Flame Certificate
--	-------------------------------------	---	----------------------------------	------------------------------------	------------------------------------	--

Instructions:

- All interpretations of these specifications MUST be submitted to Hilton for final approval prior to purchasing or implementation of any material.
- Must be of contract quality and suitable for commercial use.
- Installation must meet manufacturer's suggested guidelines and/or follow installation guidelines in accordance with Architect's specification.
- All materials & methods of construction must comply with all local fire & life safety codes for use in hotels, and Tru by Hilton Standards.
- All quantities to be verified by hotel operator prior to purchasing.





Hilton

Project Name: **V1.3 Prototypical Architectural Specs**

Item Number: **TA-16-C**

Project #: **Tru by Hilton**

Item Description: **Tub Surround @ Accessible Tubs  
(OPTION C)**

Issue Date: **03/01/17**

---

Item Quantity:

---

Manufacturer: **REQUIRED VENDOR**

Source: **MPL Corporation**

---

Instructions:

- All materials & methods of construction must comply with all local fire & life safety codes for use in hotels, and Tru by Hilton Standards.
- All quantities to be verified by hotel operator prior to purchasing.



Project Name: **V1.3 Prototypical Architectural Specs**  
 Project #: **Tru by Hilton**

Item Number: **TA-07-A**  
 Item Description: **Paper Towel Dispenser @ Public Restroom (OPTION A)**

Issue Date: **03/01/17**  
 Revision(s):

Item Quantity:

Manufacturer: Georgia-Pacific Professional  
 Address: 133 Peachtree St. NE  
 Atlanta GA 30303-  
 Phone: (609) 907-9790 800# : (866) 435-5647  
 Fax:  
 Contact: Perry Harding  
 E-mail: perry.harding@gapac.com  
 Web: http://www.gppro.com

Source: Georgia-Pacific Professional  
 Address: 133 Peachtree St. NE  
 Atlanta GA 30303-  
 Phone: (609) 607-9790 800#: (866) 435-5647  
 Fax:  
 Contact: Perry Harding  
 E-mail: perry.harding@gapac.com  
 Web: http://www.gppro.com

Product: enMotion Recessed Automated Touchless Towel Dispenser/ 59466  
 Color/Finish: Stainless Steel  
 Size/Dimensions: 13"W x 8"D x 16.4"H

Notes: Refer to architectural drawings for location and mounting height.



Required Item(s) for Designer Approval Prior to Fabrication:

Prepared By: AMC

Seaming Diagram     Strike-Off     Finish Sample     Cutting     Shop Dwgs     Prototype     Flame Certificate

Instructions:

- All interpretations of these specifications MUST be submitted to Hilton for final approval prior to purchasing or implementation of any material.
- Must be of contract quality and suitable for commercial use.
- Installation must meet manufacturer's suggested guidelines and/or follow installation guidelines in accordance with Architect's specification.
- All materials & methods of construction must comply with all local fire & life safety codes for use in hotels, and Tru by Hilton Standards.
- All quantities to be verified by hotel operator prior to purchasing.



**Hilton**

Project Name: **V1.3 Prototypical Architectural Specs**  
Project #: **Tru by Hilton**

Item Number: **TA-08-A**  
Item Description: **Toilet Paper Holder @ Public Restroom (OPTION A)**

Issue Date: **03/01/17**  
Revision(s):

Item Quantity:

Manufacturer: Bobrick Washroom Equipment  
Address: 11611 Hart St.  
N. Hollywood CA 91605-  
Phone: (818) 764-1000  
Fax: (818) 765-2700  
Contact: Customer Service  
E-mail: customerservicela@bobrick.com  
Web: http://www.bobrick.com/Bobrick/

Source: Bobrick Washroom Equipment  
Address: 11611 Hart St.  
N. Hollywood CA 91605-  
Phone: (818) 764-1000  
Fax: (818) 765-2700  
Contact: Customer Service  
E-mail: customerservicela@bobrick.com  
Web: http://www.bobrick.com/Bobrick/

Product: Recessed Multi-Roll Toilet Tissue Dispenser / B-4388  
Color/Finish: Satin Stainless  
Size/Dimensions: 7-9/16"W x 12-1/2"H

Notes: Refer to architectural drawings for location and mounting height.



Required Item(s) for Designer Approval Prior to Fabrication:

Prepared by: AMC

Seaming Diagram    Strike-Off    Finish Sample    Cutting    Shop Dwgs    Prototype    Flame Certificate

Instructions:

- All interpretations of these specifications MUST be submitted to Hilton for final approval prior to purchasing or implementation of any material.
- Must be of contract quality and suitable for commercial use.
- Installation must meet manufacturer's suggested guidelines and/or follow installation guidelines in accordance with Architect's specification.
- All materials & methods of construction must comply with all local fire & life safety codes for use in hotels, and Tru by Hilton Standards.
- All quantities to be verified by hotel operator prior to purchasing.



Hilton

Project Name: **V1.3 Prototypical Architectural Specs**

Item Number: **TA-10-A**

Project #: **Tru by Hilton**

Item Description: **18" Accessible Grab Bar (OPTION A)**

Issue Date: **03/01/17**

Revision(s):

Item Quantity:

Manufacturer: WingIt Innovations, LLC

Source: WingIt Innovations, LLC

Address: 714 5th Avenue, P.O. Box 97  
Bradley Beach NJ 07720-

Address: 714 5th Avenue, P.O. Box 97  
Bradley Beach NJ 07720-

Phone: (732) 869-4466 800# : (877) 894-6448

Phone: (732) 869-4466 800#: (877) 894-6448

Fax: (732) 869-9474

Fax: (732) 869-9474

Contact: Salvatore Sisto

Contact: Salvatore Sisto

E-mail: sal@wingits.com

E-mail: sal@wingits.com

Web: www.wingits.com

Web: www.wingits.com

Product: Grab Bar/ WGB5SS18

Color/Finish: Satin Stainless Steel

Size/Dimensions: 18"W x 1.25"DIA x 2.75"D

Notes: Refer to architectural drawings for location and mounting heights.



Required Item(s) for Designer Approval Prior to Fabrication:

Prepared By: AMC

Seaming Diagram    Strike-Off    Finish Sample    Cutting    Shop Dwgs    Prototype    Flame Certificate

Instructions:

- All interpretations of these specifications MUST be submitted to Hilton for final approval prior to purchasing or implementation of any material.
- Must be of contract quality and suitable for commercial use.
- Installation must meet manufacturer's suggested guidelines and/or follow installation guidelines in accordance with Architect's specification.
- All materials & methods of construction must comply with all local fire & life safety codes for use in hotels, and Tru by Hilton Standards.
- All quantities to be verified by hotel operator prior to purchasing.



Project Name: **V1.3 Prototypical Architectural Specs**  
 Project #: **Tru by Hilton**  
 Issue Date: **03/01/17**  
 Revision(s):

Item Number: **TA-11-A**  
 Item Description: **36" Accessible Grab Bar (OPTION A)**

Item Quantity:

Manufacturer:	WingIt Innovations, LLC	Source:	WingIt Innovations, LLC
Address:	714 5th Avenue, P.O. Box 97 Bradley Beach NJ 07720-	Address:	714 5th Avenue, P.O. Box 97 Bradley Beach NJ 07720-
Phone:	(732) 869-4466      800# : (877) 894-6448	Phone:	(732) 869-4466      800#: (877) 894-6448
Fax:	(732) 869-9474	Fax:	(732) 869-9474
Contact:	Salvatore Sisto	Contact:	Salvatore Sisto
E-mail:	sal@wingits.com	E-mail:	sal@wingits.com
Web:	www.wingits.com	Web:	www.wingits.com

Product: Grab Bar/ WGB5SS36  
 Color/Finish: Satin Stainless Steel  
 Size/Dimensions: 36"W x 1.25"DIA x 2.75"D

Notes: Refer to architectural drawings for location and mounting heights.



Required Item(s) for Designer Approval Prior to Fabrication:

Prepared By: AMC

<input type="checkbox"/> Seaming Diagram	<input type="checkbox"/> Strike-Off	<input checked="" type="checkbox"/> Finish Sample	<input type="checkbox"/> Cutting	<input type="checkbox"/> Shop Dwgs	<input type="checkbox"/> Prototype	<input type="checkbox"/> Flame Certificate
--	-------------------------------------	---	----------------------------------	------------------------------------	------------------------------------	--

Instructions:

- All interpretations of these specifications MUST be submitted to Hilton for final approval prior to purchasing or implementation of any material.
- Must be of contract quality and suitable for commercial use.
- Installation must meet manufacturer's suggested guidelines and/or follow installation guidelines in accordance with Architect's specification.
- All materials & methods of construction must comply with all local fire & life safety codes for use in hotels, and Tru by Hilton Standards.
- All quantities to be verified by hotel operator prior to purchasing.



Project Name: **V1.3 Prototypical Architectural Specs**  
 Project #: **Tru by Hilton**  
 Issue Date: **03/01/17**  
 Revision(s):

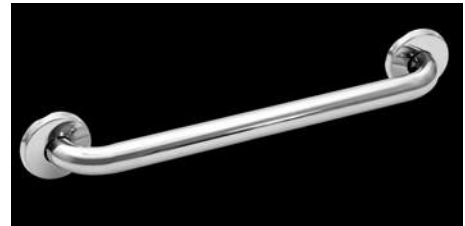
Item Number: **TA-12-A**  
 Item Description: **42" Accessible Grab Bar (OPTION A)**

Item Quantity:

Manufacturer:	WingIt Innovations, LLC	Source:	WingIt Innovations, LLC
Address:	714 5th Avenue, P.O. Box 97 Bradley Beach NJ 07720-	Address:	714 5th Avenue, P.O. Box 97 Bradley Beach NJ 07720-
Phone:	(732) 869-4466 800# : (877) 894-6448	Phone:	(732) 869-4466 800#: (877) 894-6448
Fax:	(732) 869-9474	Fax:	(732) 869-9474
Contact:	Salvatore Sisto	Contact:	Salvatore Sisto
E-mail:	sal@wingits.com	E-mail:	sal@wingits.com
Web:	www.wingits.com	Web:	www.wingits.com

Product: Grab Bar/ WGB5SS42  
 Color/Finish: Satin Stainless Steel  
 Size/Dimensions: 42"W x 1.25"DIA x 2.75"D

Notes: Refer to architectural drawings for location and mounting heights.



Required Item(s) for Designer Approval Prior to Fabrication:

Prepared By: AMC

<input type="checkbox"/> Seaming Diagram	<input type="checkbox"/> Strike-Off	<input checked="" type="checkbox"/> Finish Sample	<input type="checkbox"/> Cutting	<input type="checkbox"/> Shop Dwgs	<input type="checkbox"/> Prototype	<input type="checkbox"/> Flame Certificate
--	-------------------------------------	---	----------------------------------	------------------------------------	------------------------------------	--

Instructions:

- All interpretations of these specifications MUST be submitted to Hilton for final approval prior to purchasing or implementation of any material.
- Must be of contract quality and suitable for commercial use.
- Installation must meet manufacturer's suggested guidelines and/or follow installation guidelines in accordance with Architect's specification.
- All materials & methods of construction must comply with all local fire & life safety codes for use in hotels, and Tru by Hilton Standards.
- All quantities to be verified by hotel operator prior to purchasing.



Project Name: **V1.3 Prototypical Architectural Specs**  
 Project #: **Tru by Hilton**

Item Number: **TA-13-A**  
 Item Description: **24" Accessible Grab Bar @ Guest Shower (OPTION A)**

Issue Date: **03/01/17**  
 Revision(s):

Item Quantity:

Manufacturer: WingIt Innovations, LLC  
 Address: 714 5th Avenue, P.O. Box 97  
 Bradley Beach NJ 07720-

Source: WingIt Innovations, LLC  
 Address: 714 5th Avenue, P.O. Box 97  
 Bradley Beach NJ 07720-

Phone: (732) 869-4466 800# : (877) 894-6448

Phone: (732) 869-4466 800#: (877) 894-6448

Fax: (732) 869-9474

Fax: (732) 869-9474

Contact: Salvatore Sisto

Contact: Salvatore Sisto

E-mail: sal@wingits.com

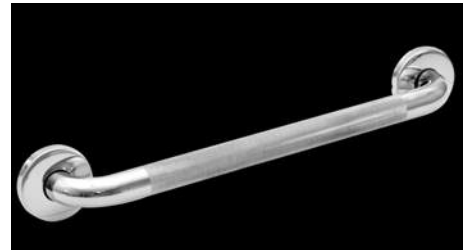
E-mail: sal@wingits.com

Web: www.wingits.com

Web: www.wingits.com

Product: Grab Bar/ WGB5SSKN24  
 Color/Finish: Satin Stainless Steel / Preened  
 Size/Dimensions: 24"W x 1.25"DIA x 2.75"D

Notes: Refer to architectural drawings for location and mounting heights.



Required Item(s) for Designer Approval Prior to Fabrication:

Prepared By: AMC

Seaming Diagram     Strike-Off     Finish Sample     Cutting     Shop Dwgs     Prototype     Flame Certificate

Instructions:

- All interpretations of these specifications MUST be submitted to Hilton for final approval prior to purchasing or implementation of any material.
- Must be of contract quality and suitable for commercial use.
- Installation must meet manufacturer's suggested guidelines and/or follow installation guidelines in accordance with Architect's specification.
- All materials & methods of construction must comply with all local fire & life safety codes for use in hotels, and Tru by Hilton Standards.
- All quantities to be verified by hotel operator prior to purchasing.



Project Name: **V1.3 Prototypical Architectural Specs**  
Project #: **Tru by Hilton**

Item Number: **TA-14-A**  
Item Description: **30" Accessible Grab Bar @ Guest Shower (OPTION A)**

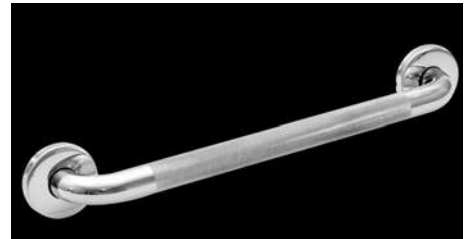
Issue Date: **03/01/17**  
Revision(s):

Item Quantity:

Manufacturer:	WingIt Innovations, LLC	Source:	WingIt Innovations, LLC
Address:	714 5th Avenue, P.O. Box 97 Bradley Beach NJ 07720-	Address:	714 5th Avenue, P.O. Box 97 Bradley Beach NJ 07720-
Phone:	(732) 869-4466      800# : (877) 894-6448	Phone:	(732) 869-4466      800#: (877) 894-6448
Fax:	(732) 869-9474	Fax:	(732) 869-9474
Contact:	Salvatore Sisto	Contact:	Salvatore Sisto
E-mail:	sal@wingits.com	E-mail:	sal@wingits.com
Web:	www.wingits.com	Web:	www.wingits.com

Product: **WGB5SSKN30**  
Color/Finish: **Satin Stainless Steel / Preened**  
Size/Dimensions: **30"W x 1.25"DIA x 2.75"D**

Notes: Refer to architectural drawings for location and mounting heights.



Required Item(s) for Designer Approval Prior to Fabrication:

Prepared By: AMC

<input type="checkbox"/> Seaming Diagram	<input type="checkbox"/> Strike-Off	<input checked="" type="checkbox"/> Finish Sample	<input type="checkbox"/> Cutting	<input type="checkbox"/> Shop Dwgs	<input type="checkbox"/> Prototype	<input type="checkbox"/> Flame Certificate
--	-------------------------------------	---	----------------------------------	------------------------------------	------------------------------------	--

Instructions:

- All interpretations of these specifications MUST be submitted to Hilton for final approval prior to purchasing or implementation of any material.
- Must be of contract quality and suitable for commercial use.
- Installation must meet manufacturer's suggested guidelines and/or follow installation guidelines in accordance with Architect's specification.
- All materials & methods of construction must comply with all local fire & life safety codes for use in hotels, and Tru by Hilton Standards.
- All quantities to be verified by hotel operator prior to purchasing.





Project Name: **V1.3 Prototypical Architectural Specs**  
Project #: **Tru by Hilton**

Item Number: **TA-15-A**  
Item Description: **36" Accessible Grab Bar @ Guest Shower (OPTION A)**

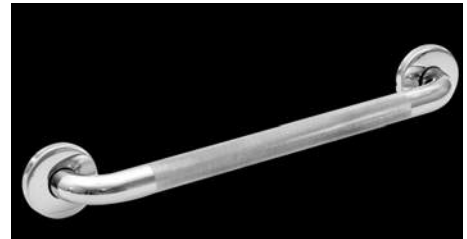
Issue Date: **03/01/17**  
Revision(s):

Item Quantity:

Manufacturer:	WingIt Innovations, LLC	Source:	WingIt Innovations, LLC
Address:	714 5th Avenue, P.O. Box 97 Bradley Beach NJ 07720-	Address:	714 5th Avenue, P.O. Box 97 Bradley Beach NJ 07720-
Phone:	(732) 869-4466      800# : (877) 894-6448	Phone:	(732) 869-4466      800#: (877) 894-6448
Fax:	(732) 869-9474	Fax:	(732) 869-9474
Contact:	Salvatore Sisto	Contact:	Salvatore Sisto
E-mail:	sal@wingits.com	E-mail:	sal@wingits.com
Web:	www.wingits.com	Web:	www.wingits.com

Product: WGB5SSKN36  
Color/Finish: Satin Stainless Steel / Preened  
Size/Dimensions: 36"W x 1.25"DIA x 2.75"D

Notes: Refer to architectural drawings for location and mounting heights.



Required Item(s) for Designer Approval Prior to Fabrication:

Prepared By: AMC

<input type="checkbox"/> Seaming Diagram	<input type="checkbox"/> Strike-Off	<input checked="" type="checkbox"/> Finish Sample	<input type="checkbox"/> Cutting	<input type="checkbox"/> Shop Dwgs	<input type="checkbox"/> Prototype	<input type="checkbox"/> Flame Certificate
--	-------------------------------------	---	----------------------------------	------------------------------------	------------------------------------	--

Instructions:

- All interpretations of these specifications MUST be submitted to Hilton for final approval prior to purchasing or implementation of any material.
- Must be of contract quality and suitable for commercial use.
- Installation must meet manufacturer's suggested guidelines and/or follow installation guidelines in accordance with Architect's specification.
- All materials & methods of construction must comply with all local fire & life safety codes for use in hotels, and Tru by Hilton Standards.
- All quantities to be verified by hotel operator prior to purchasing.



Project Name: **V1.3 Prototypical Architectural Specs**  
 Project #: **Tru by Hilton**

Item Number: **TA-16-A**  
 Item Description: **Tub Surround @ Accessible Tubs (OPTION A)**

Issue Date: **03/01/17**

Revision(s):

Item Quantity:

Manufacturer: **REQUIRED VENDOR**

Source: **Kohler Company**

Address:

Address: **444 Highland Drive  
Kohler WI 53044-**

Phone:

Phone:

Fax:

Fax:

Mobile: (513) 250-5482

Contact:

Contact: **Bill Berger**

E-mail:

E-mail: **bill.berger@kohler.com**

Web:

Web: **ww.kohler.com**

Product: **Choreograph / Brick Texture**

Color/Finish: **T01-0 White / Matte finish**

Size/Dimensions: **See Notes**

Notes: **Panels to extend from top of tub to ceiling - cut in field as required.  
Finished edge of side walls to align with front edge of tub.**

**CONTRACTOR MUST COORDINATE WALL PANEL SIZES WITH TUB OPENING.  
Refer to architectural drawings for locations.**

**Provide the following:  
(2) 36"W x 72"H Brick Texture Wall Panels  
(1) 60"W x 72"H Brick Texture Wall Panel  
(2) 96"H corner joints #K-97635-0 / color WHITE**



Required Item(s) for Designer Approval Prior to Fabrication:

Prepared By: **AMC**

<input type="checkbox"/> Seaming Diagram	<input type="checkbox"/> Strike-Off	<input checked="" type="checkbox"/> Finish Sample	<input type="checkbox"/> Cutting	<input type="checkbox"/> Shop Dwgs	<input type="checkbox"/> Prototype	<input type="checkbox"/> Flame Certificate
--	-------------------------------------	---	----------------------------------	------------------------------------	------------------------------------	--

Instructions:

- All interpretations of these specifications **MUST** be submitted to Hilton for final approval prior to purchasing or implementation of any material.
- Must be of contract quality and suitable for commercial use.
- Installation must meet manufacturer's suggested guidelines and/or follow installation guidelines in accordance with Architect's specification.
- All materials & methods of construction must comply with all local fire & life safety codes for use in hotels, and Tru by Hilton Standards.
- All quantities to be verified by hotel operator prior to purchasing.



Project Name: **V1.3 Prototypical Architectural Specs**  
Project #: **Tru by Hilton**

Item Number: **TA-17-A**  
Item Description: **Straight Shower Rod @ Accessible Roll-in Showers (OPTION A)**

Issue Date: **03/01/17**  
Revision(s):

Item Quantity:

Manufacturer: WingIt Innovations, LLC  
Address: 714 5th Avenue, P.O. Box 97  
Bradley Beach NJ 07720-

Source: WingIt Innovations, LLC  
Address: 714 5th Avenue, P.O. Box 97  
Bradley Beach NJ 07720-

Phone: (732) 869-4466 800# : (877) 894-6448

Phone: (732) 869-4466 800#: (877) 894-6448

Fax: (732) 869-9474

Fax: (732) 869-9474

Contact: Salvatore Sisto

Contact: Salvatore Sisto

E-mail: sal@wingits.com

E-mail: sal@wingits.com

Web: www.wingits.com

Web: www.wingits.com

Product: Oval Straight Shower Rod/ WOCBSTSSP  
Color/Finish: Satin Stainless Steel Finish  
Size/Dimensions: 58-61" x 1"DIA x 2-3/8"H

Notes: Refer to architectural drawings for location and mounting heights.



Required Item(s) for Designer Approval Prior to Fabrication:

Prepared By: AMC

Seaming Diagram    Strike-Off    Finish Sample    Cutting    Shop Dwgs    Prototype    Flame Certificate

Instructions:

- All interpretations of these specifications MUST be submitted to Hilton for final approval prior to purchasing or implementation of any material.
- Must be of contract quality and suitable for commercial use.
- Installation must meet manufacturer's suggested guidelines and/or follow installation guidelines in accordance with Architect's specification.
- All materials & methods of construction must comply with all local fire & life safety codes for use in hotels, and Tru by Hilton Standards.
- All quantities to be verified by hotel operator prior to purchasing.



Project Name: **V1.3 Prototypical Architectural Specs**  
Project #: **Tru by Hilton**

Item Number: **TA-18-A**  
Item Description: **Curved Shower Rod @ Accessible Tub (OPTION A)**

Issue Date: **03/01/17**

Revision(s):

Item Quantity:

Manufacturer: WingIt Innovations, LLC  
Address: 714 5th Avenue, P.O. Box 97  
Bradley Beach NJ 07720-

Source: WingIt Innovations, LLC  
Address: 714 5th Avenue, P.O. Box 97  
Bradley Beach NJ 07720-

Phone: (732) 869-4466 800# : (877) 894-6448

Phone: (732) 869-4466 800#: (877) 894-6448

Fax: (732) 869-9474

Fax: (732) 869-9474

Contact: Salvatore Sisto

Contact: Salvatore Sisto

E-mail: sal@wingits.com

E-mail: sal@wingits.com

Web: www.wingits.com

Web: www.wingits.com

Product: Contour Oval Curved Shower Curtain Rod / W0C0N5  
Color/Finish: Stainless Steel / Satin Finish  
Size/Dimensions: 58.5" to 60"W x 1"H x 6"Projection

Notes: Refer to architectural drawings for locations and mounting heights.



Required Item(s) for Designer Approval Prior to Fabrication:

Prepared By: AMC

Seaming Diagram    Strike-Off    Finish Sample    Cutting    Shop Dwgs    Prototype    Flame Certificate

Instructions:

- All interpretations of these specifications MUST be submitted to Hilton for final approval prior to purchasing or implementation of any material.
- Must be of contract quality and suitable for commercial use.
- Installation must meet manufacturer's suggested guidelines and/or follow installation guidelines in accordance with Architect's specification.
- All materials & methods of construction must comply with all local fire & life safety codes for use in hotels, and Tru by Hilton Standards.
- All quantities to be verified by hotel operator prior to purchasing.



Project Name: **V1.3 Prototypical Architectural Specs**  
Project #: **Tru by Hilton**

Item Number: **TA-19-A**  
Item Description: **Folding Shower Seat @ Accessible Roll-in Showers (OPTION A)**

Issue Date: **03/01/17**  
Revision(s):

Item Quantity:

Manufacturer:	WingIt Innovations, LLC	Source:	WingIt Innovations, LLC
Address:	714 5th Avenue, P.O. Box 97 Bradley Beach NJ 07720-	Address:	714 5th Avenue, P.O. Box 97 Bradley Beach NJ 07720-
Phone:	(732) 869-4466      800# : (877) 894-6448	Phone:	(732) 869-4466      800#: (877) 894-6448
Fax:	(732) 869-9474	Fax:	(732) 869-9474
Contact:	Salvatore Sisto	Contact:	Salvatore Sisto
E-mail:	sal@wingits.com	E-mail:	sal@wingits.com
Web:	www.wingits.com	Web:	www.wingits.com

Product: WSLX320225PWREV  
Color/Finish: Stainless Steel / Satin Finish / Seat: White Phenolic  
Size/Dimensions: 32"W x 22-1/2" D x 17"-19" (when folded down)

Notes: Refer to architectural drawings for location and mounting heights.



Required Item(s) for Designer Approval Prior to Fabrication:

Prepared By: AMC

<input type="checkbox"/> Seaming Diagram	<input type="checkbox"/> Strike-Off	<input checked="" type="checkbox"/> Finish Sample	<input type="checkbox"/> Cutting	<input type="checkbox"/> Shop Dwgs	<input type="checkbox"/> Prototype	<input type="checkbox"/> Flame Certificate
--	-------------------------------------	---	----------------------------------	------------------------------------	------------------------------------	--

Instructions:

- All interpretations of these specifications MUST be submitted to Hilton for final approval prior to purchasing or implementation of any material.
- Must be of contract quality and suitable for commercial use.
- Installation must meet manufacturer's suggested guidelines and/or follow installation guidelines in accordance with Architect's specification.
- All materials & methods of construction must comply with all local fire & life safety codes for use in hotels, and Tru by Hilton Standards.
- All quantities to be verified by hotel operator prior to purchasing.



Project Name: **V1.3 Prototypical Architectural Specs**  
Project #: **Tru by Hilton**

Item Number: **TA-20-A**  
Item Description: **Removable Seat @ Accessible Tub (OPTION A)**

Issue Date: **03/01/17**  
Revision(s):

Item Quantity:

Manufacturer: WingIt Innovations, LLC  
Address: 714 5th Avenue, P.O. Box 97  
Bradley Beach NJ 07720-

Source: WingIt Innovations, LLC  
Address: 714 5th Avenue, P.O. Box 97  
Bradley Beach NJ 07720-

Phone: (732) 869-4466 800# : (877) 894-6448

Phone: (732) 869-4466 800#: (877) 894-6448

Fax: (732) 869-9474

Fax: (732) 869-9474

Contact: Salvatore Sisto

Contact: Salvatore Sisto

E-mail: sal@wingits.com

E-mail: sal@wingits.com

Web: www.wingits.com

Web: www.wingits.com

Product: Portable Tub Bench / WHPTB265150PW  
Color/Finish: Phenolic White  
Size/Dimensions: 15"W x 26.5"L x 16-17.5" Adjustable Height

Notes: Refer to architectural drawings for locations.  
  
Seat is 1/2" Phenolic white finish, stainless steel adjustable legs and tub clamp (adjustable 3.5" to 6")



Required Item(s) for Designer Approval Prior to Fabrication:

Prepared By: AMC

Seaming Diagram    Strike-Off    Finish Sample    Cutting    Shop Dwgs    Prototype    Flame Certificate

Instructions:

- All interpretations of these specifications MUST be submitted to Hilton for final approval prior to purchasing or implementation of any material.
- Must be of contract quality and suitable for commercial use.
- Installation must meet manufacturer's suggested guidelines and/or follow installation guidelines in accordance with Architect's specification.
- All materials & methods of construction must comply with all local fire & life safety codes for use in hotels, and Tru by Hilton Standards.
- All quantities to be verified by hotel operator prior to purchasing.



**Hilton**

Project Name: **V1.3 Prototypical Architectural Specs**  
Project #: **Tru by Hilton**

Item Number: **TA-21**  
Item Description: **Baby Changing Station @ Public Restroom**

Issue Date: **03/01/17**  
Revision(s):

Item Quantity:

Manufacturer: Bobrick Washroom Equipment  
Address: 11611 Hart St.  
N. Hollywood CA 91605-  
Phone: (818) 764-1000  
Fax: (818) 765-2700  
Contact: Customer Service  
E-mail: customerservicela@bobrick.com  
Web: <http://www.bobrick.com/Bobrick/>

Source: Bobrick Washroom Equipment  
Address: 11611 Hart St.  
N. Hollywood CA 91605-  
Phone: (818) 764-1000  
Fax: (818) 765-2700  
Contact: Customer Service  
E-mail: customerservicela@bobrick.com  
Web: <http://www.bobrick.com/Bobrick/>

Product: KB110-SSWM  
Color/Finish: Satin Stainless Steel Exterior Finish With Molded Grey  
Color Polyethylene Interior  
Size/Dimensions: Unit 35 1/4" W, 20" H (890 x 510mm). Depth  
(closed) 4" (100mm). Extension (open) 15 3/16"  
(385mm)



Required Item(s) for Designer Approval Prior to Fabrication:

Prepared By: JP

Seaming Diagram     Strike-Off     Finish Sample     Cutting     Shop Dwgs     Prototype     Flame Certificate

Instructions:

- All interpretations of these specifications MUST be submitted to Hilton for final approval prior to purchasing or implementation of any material.
- Must be of contract quality and suitable for commercial use.
- Installation must meet manufacturer's suggested guidelines and/or follow installation guidelines in accordance with Architect's specification.
- All materials & methods of construction must comply with all local fire & life safety codes for use in hotels, and Tru by Hilton Standards.
- All quantities to be verified by hotel operator prior to purchasing.

# PUBLIC UNISEX RESTROOM



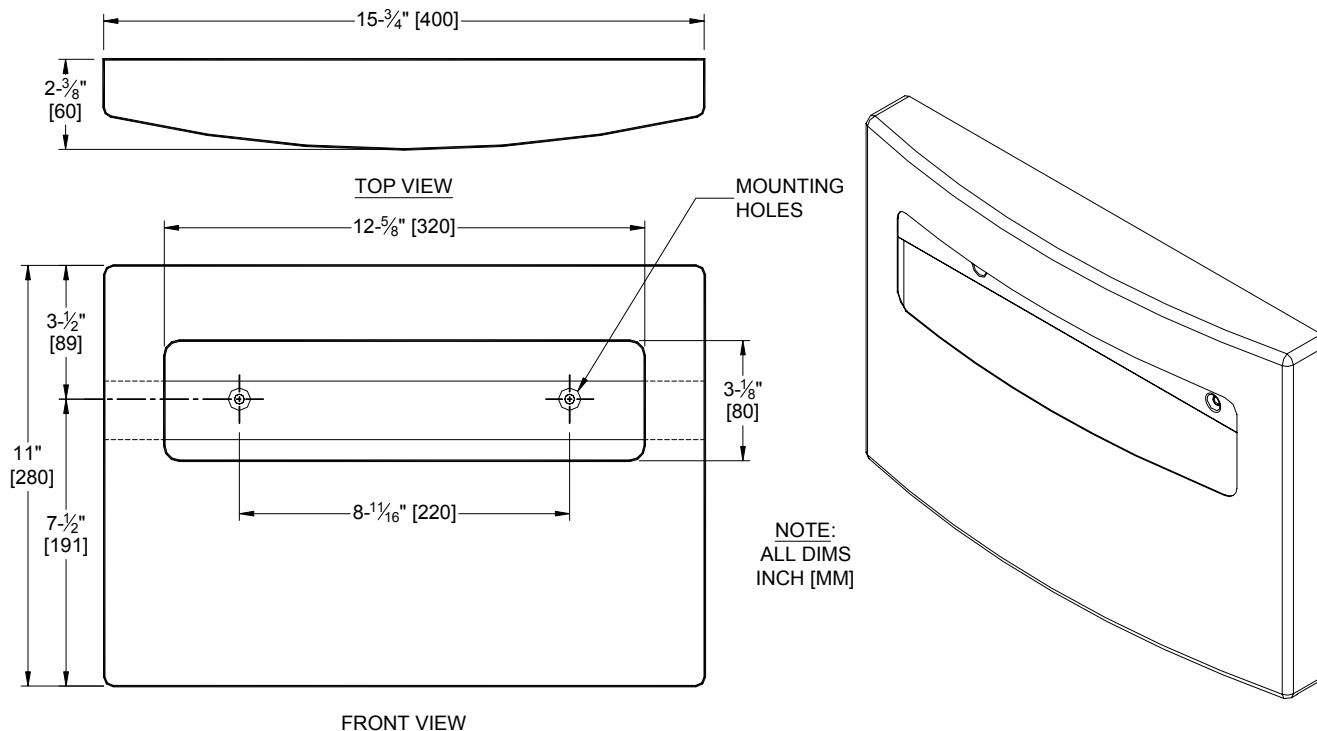
**AMERICAN SPECIALTIES, INC.**  
441 Saw Mill River Road, NY 10701 (914) 476-9000  
www.americanspecialties.com

MODEL №: 20477-SM

ISSUED: 08/09

REVISED:

## ROVAL™ SURFACE MOUNTED SEAT COVER DISPENSER



### SPECIFICATION

Royal™ Collection Surface Mounted Seat Cover Dispenser shall hold and dispense 250 standard single or half-fold paper toilet seat covers contained in supply box. Cabinet full panel shall be drawn seamless and shall have bowed front face and gently radiused edges to provide added strength and complimentary appearance for modern wash-room aesthetics. Unit shall be 22 gauge type 304 stainless steel alloy 18-8 and all exposed surfaces shall have satin finish protected during shipment with PVC film that is easily removable after installation. Cover dispensing slot shall have a fully deburred flat edge for snag-free dispensing and user safety. Structural assembly of cover and mounting bar components shall be of welded construction with no visible spot-welded seams or fasteners.

**Royal™ Collection Surface Mounted Toilet Seat Cover Dispenser shall be Model № 20477SM of American Specialties, Inc. 441 Saw Mill River Road Yonkers, New York 10701-4913**

### INSTALLATION

Mount unit on wall or partition surface using two (2) № 10 x 1-1/4" (32) self-tapping flat head screws (by others). Mounting holes are clearly accessible through dispenser slot for installation and concealed behind dispenser box for vandal resistant locking after dispense product is loaded. For compliance with ADA Accessibility Guidelines install unit so that centerline of dispenser slot is 48" (1219) maximum above finished floor (AFF) if clear floor access is provided or 46" (1168) maximum AFF if side reach over an obstruction only is provided (i.e.: vanity).

### OPERATION

Covers are self-feeding until supply is depleted. Unit is manually reloaded with a full box through concealed opening in bottom on schedule determined by maintenance requirements.

Accessory Specialties

AMERICAN DISPENSER

Desert Ray Products

METROUS INC.



# PUBLIC UNISEX RESTROOM



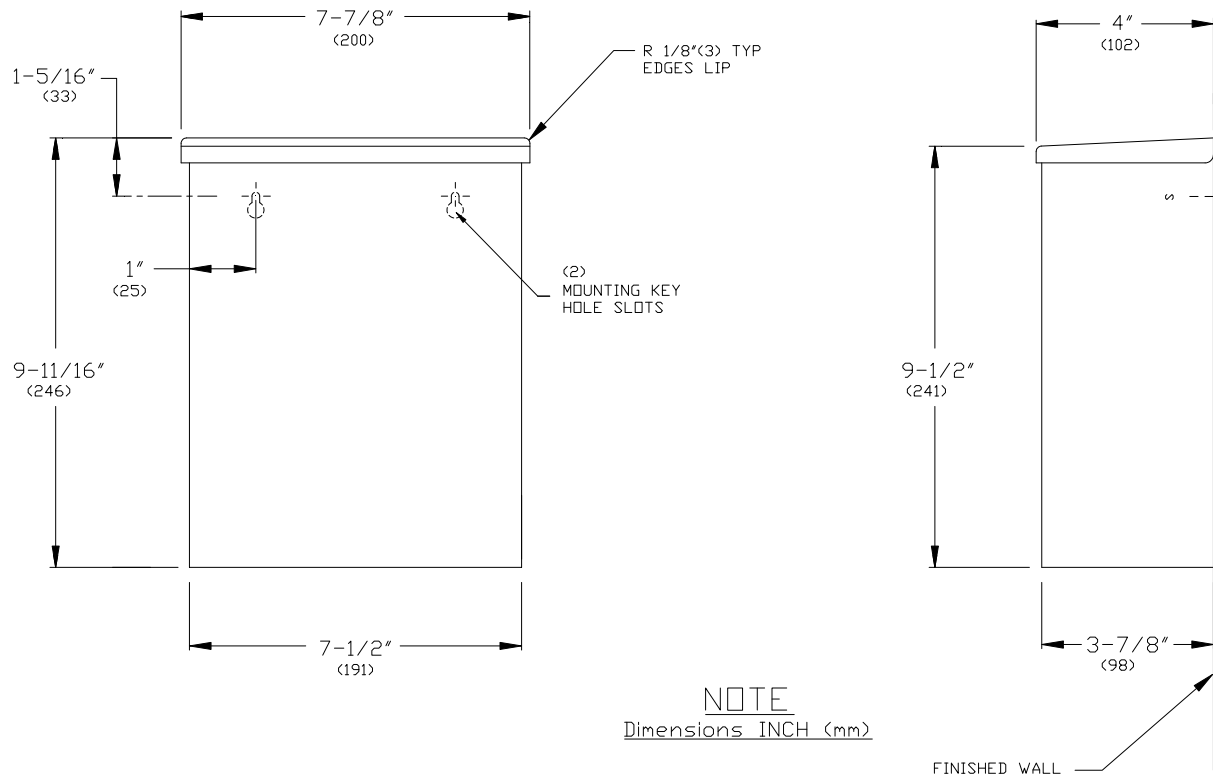
**AMERICAN SPECIALTIES, INC.**  
441 Saw Mill River Road, NY 10701  
(914) 476.9000 • (914) 476.0688  
www.americanspecialties.com

**MODEL №: 0852**

**ISSUED: 01/87**

**REVISED: 03/12**

## SURFACE MOUNTED SANITARY NAPKIN DISPOSAL



### SPECIFICATION

Surface Mounted Sanitary Napkin Disposal shall have top cover door and cabinet of 22 gauge type 304 stainless steel alloy 18-8. All exposed surfaces shall be satin finish and be protected during shipment with PVC film easily removable after installation. Capacity shall be 1.2 gal (4.5L). Top cover is attached to cabinet with a full length 3/16" diameter (Ø4.8) stainless steel multi-staked piano hinge. Structural assembly of body and door components shall be of welded construction.

Surface Mounted Sanitary Napkin Disposal shall be Model № 0852 of American Specialties Inc., 441 Saw Mill River Road, Yonkers, New York 10701-4913

### INSTALLATION

Surface mount unit on wall or partition using № 10 self tapping screws (by others). Two (2) mounting holes through back are keyhole slots for ease in hanging unit on pre-installed screws. For compliance with 2010 ADA Accessibility Standards, install unit so that top cover is 44" (1118) MAX above finished floor.

### OPERATION

User lifts lid to deposit waste material. Maintenance schedule determines trash removal cycle. Unit is emptied by opening top door and removing wax paper collection bag. Waxed paper liner bags are furnished by others.

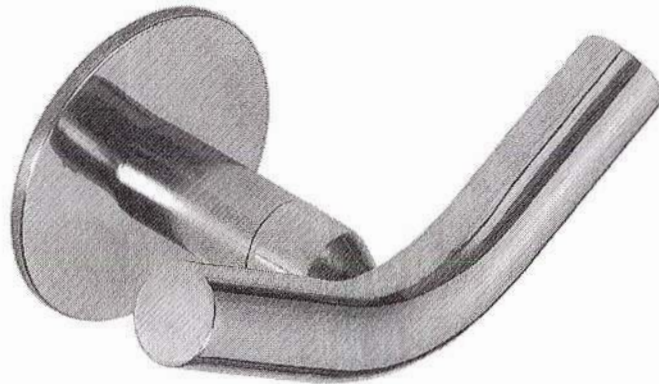
# WINGITS® MODERN Elegance™

## Stainless Steel Double Robe Hook

**Model:**  
**WMEDRH**

**Part Numbers:**  
**WMEDRHPS** Polished Finish      **WMEDRHSN** Satin Finish

*Stainless steel screws are included to install into adequate structural blocking.*



Contemporary design combines with **PATENTED** BridgeBind™ Technology resulting in a Robe Hook with:

- Unparalleled strength
- Beauty
- Functionality
- Durability
- No lines for dirt to collect (maintenance free)

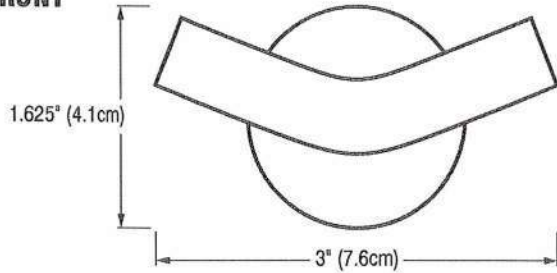
BridgeBind™ Technology is the result of drilling a hole completely through stainless steel tubing, inserting a solid stainless steel pin, and HeliArc Welding the pin to the far point of the tube; solidifying the pin and tube into one piece. Creating the ultimate structural bond.

<b>MECHANICAL DATA</b>	
<b>Height:</b> 1.625" (4.1cm)	<b>Weight:</b> 6 oz. (170g)
<b>Width:</b> 3" (7.6cm)	
<b>Depth:</b> 2.125" (5.4cm)	
<b>PRODUCT COMPOSITION</b>	
Entire product is 18/8 (304) stainless steel. Solid caps and pins are HeliArc welded to 18 gauge tube.	
<b>MODALITY</b>	
<b>Use:</b> Wall Installation.	
<b>INSTALLATION</b>	
<b>WingIts®</b> Stainless Steel Double Robe Hooks are designed to be <b>installed into adequate structural blocking.</b>	
<b>RECOMMENDED INTEGRATION</b>	
It is recommended that <b>WingIts®</b> Master Anchor for MODERN Elegance™ Bath Accessories (MAWME35) is used with this product.	

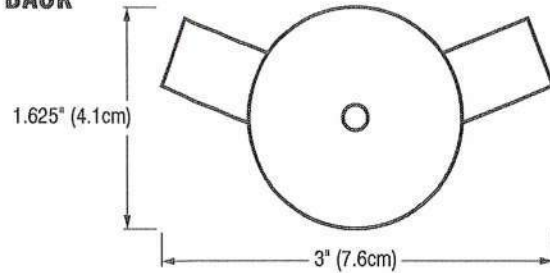
WMEDRH SpecSheet 20140317 rev2

# WINGITS®

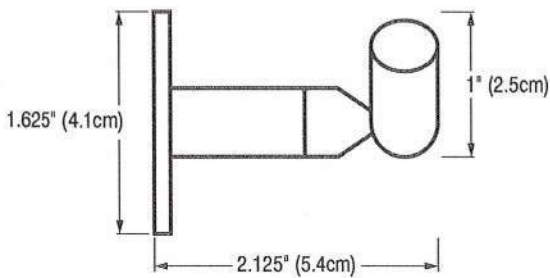
**FRONT**



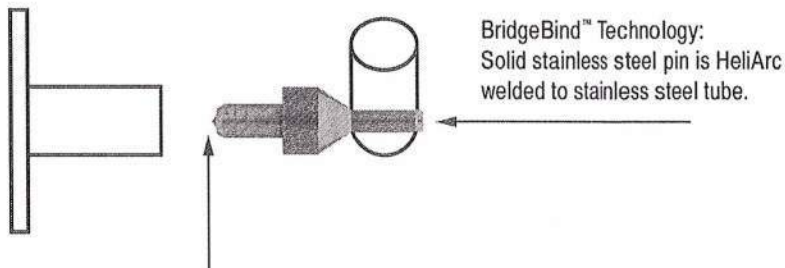
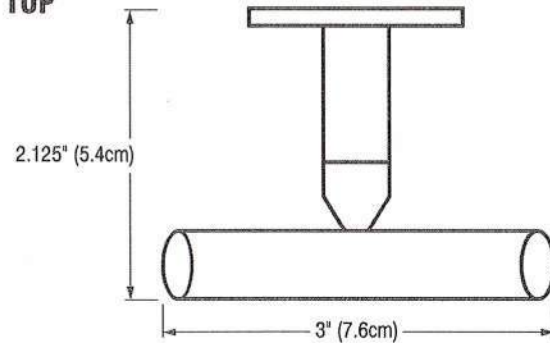
**BACK**



**SIDE**

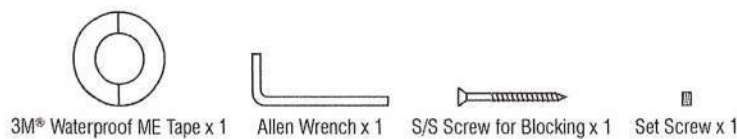


**TOP**

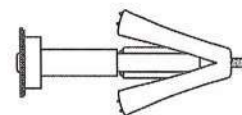


Use the Robe Hook as its own template.  
Put pin to wall to mark drilling location.

**INCLUDED HARDWARE**



**OPTIONAL HARDWARE**  
(Sold Separately)



Wingits® Master Anchor for MODERN Elegance™  
Bath Accessories (MAWME35) x 1

WMEDRH SpecSheet 20140317 rev2

Item No.:	_____	Qty.	_____
Model No.:	_____		
Project No.:	_____		



### Specifications

14" Standard Series Sink, with three compartments, both left and right drainboards, 9" backsplash, 16 gauge, 300 series stainless steel top and bowl, galvanized legs & adjustable feet, raised 1-1/2" rolled edge, includes 3-1/2" basket strainer, NSF approved

### Features

- 16 Ga. stainless steel
- Welded construction for consistent metal gauge thickness throughout
- 14" (355.6 mm) deep tub with 3/4" (19.1 mm) covered radius tub corners
- All drainboards are die stamped for positive drainage
- 9" (228.6 mm) backsplash with tile ledge for easy installation
- Raised 1-1/2" (38.1 mm) rolled edge
- 3-1/2" (88.9 mm) drain with basket strainers included
- 1-5/8" (41.3 mm) galvanized legs with 1" (25.4 mm) adjustable plastic feet
- 2" (50.8 mm) divider between each tub

### Flyer Product

*In keeping with our policy of continuing product improvement, Elkay SSP reserves the right to change product specifications without notice.*

### 14" Standard Series Sinks

*14" Deep Standard Series Three Compartment Stainless Steel Sinks*

- |   |  |
|---|--|
| <input type="checkbox"/> 14-3C16X20-2-18X | <input checked="" type="checkbox"/> 14-3C18X24-2-24X |
| <input type="checkbox"/> 14-3C16X20-2-24X | <input type="checkbox"/> 14-3C24X24-2-24X            |
| <input type="checkbox"/> 14-3C20X20-2-20X |  |
| <input type="checkbox"/> 14-3C18X24-2-18X |  |

**NOTE: PREP FOR TWO (2) FAUCETS**

### Options

- Faucets
- Tub Accessories
- Undershelves
- Rotary Drain Options
- H-Frame Stainless Steel Legs
- Stainless Steel Feet Options (bullet & flange styles)

### Materials

- Sink & Bowl: 16 Ga. 300 series stainless steel
- Top: Drainboards and backsplash are 16 gauge 300 series stainless steel.
- Legs: All sinks furnished with 1-5/8" (41.3 mm) diameter heavy gauge galvanized tubing with plated galvanized leg gussets and high impact corrosion resistant fully adjustable 1" (25.4 mm) feet.

### Mechanical

- 1-1/8" (38mm) faucet holes on 8" (203mm) centers
- 3-1/2" (89mm) waste drain opening



**AUTOQUOTES**



*This specification describes an Elkay SSP product with design, quality and functional benefits to the user. When making a comparison of other producers' offerings, be certain these features are not overlooked.*



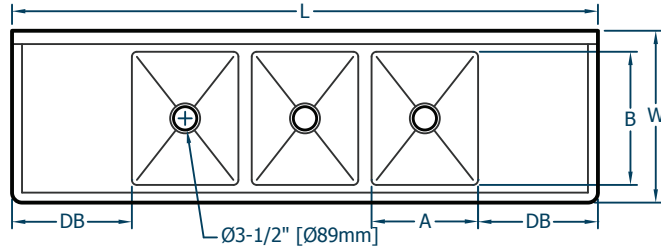
Item No.: \_\_\_\_\_ Qty. \_\_\_\_\_

Model No.: \_\_\_\_\_

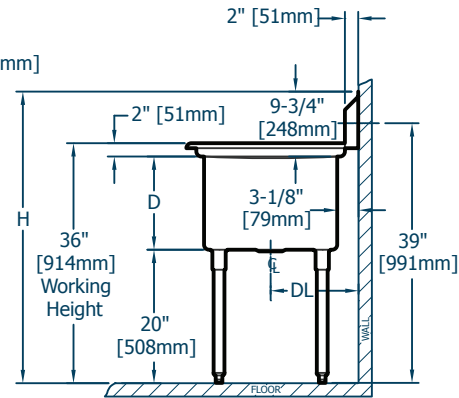
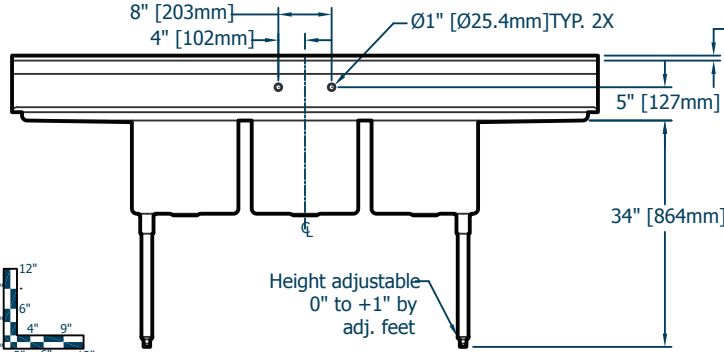
Project No.: \_\_\_\_\_

## 14" Standard Series Sinks

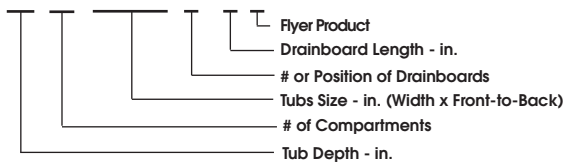
14" Deep Standard Series Three Compartment Stainless Steel Sinks



NOTE: PREP FOR TWO (2) FAUCETS



14" Standard Series Sinks																		
Model Number	Bowl Dimensions						Overall Size						Drainboard		Drain		Weight	
	Width		Front-to-Back		Depth		Length		Width		Height		Location	Size	Location			
	A	B	D		L	W	H		DB	DL	lbs.	kg						
14 3C 16 X 20 2 18 X	16	406	20	508	14	356	88	2235	25.8	656	43.8	1111	L & R	18 457	13 330	305	139	
14 3C 16 X 20 2 24 X	16	406	20	508	14	356	100	2540	25.8	656	43.8	1111	L & R	24 610	13 330	319	145	
14 3C 20 X 20 2 20 X	20	508	20	508	14	356	104	2642	25.8	656	43.8	1111	L & R	20 508	13 330	366	166	
14 3C 18 X 24 2 18 X	18	457	24	610	14	356	94	2388	29.8	757	43.8	1111	L & R	18 457	15 381	349	158	
14 3C 18 X 24 2 24 X	18	457	24	610	14	356	106	2692	29.8	757	43.8	1111	L & R	24 610	15 381	364	165	
14 3C 24 X 24 2 24 X	24	610	24	610	14	356	124	3150	29.8	757	43.8	1111	L & R	24 610	15 381	443	201	





# Swivel Sink and Pantry Faucets

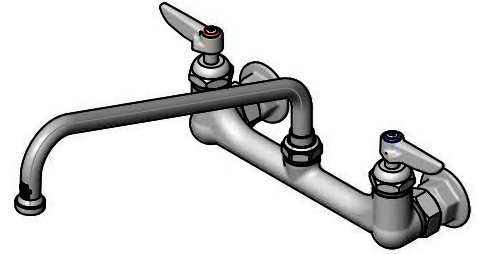
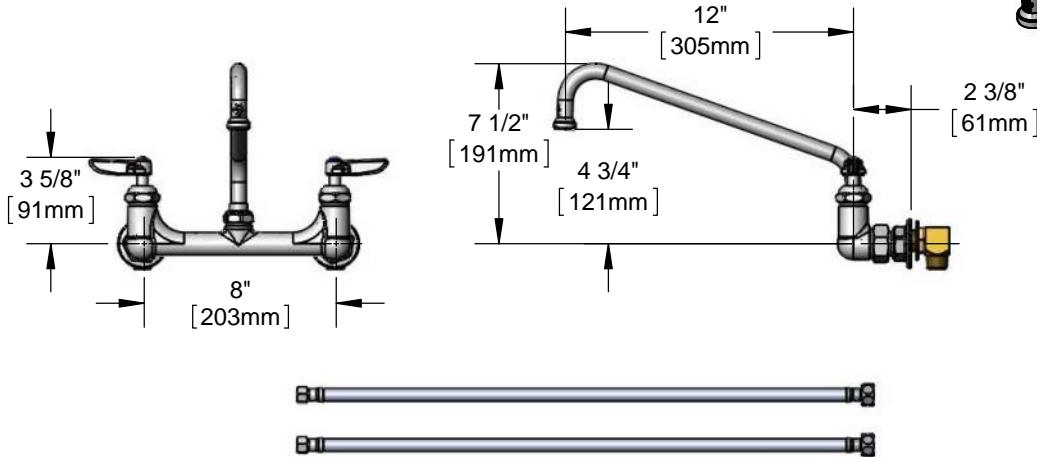
## B-0231-CR-KIT

**TAG:**                       
**KITCHEN PANTRY**  
*Double Pantry Faucet*

### Architect/Engineering Specifications:

8" wall mount mixing faucet with polished chrome plated brass body, 12" swing nozzle with stream regulator outlet, ceramic cartridges, lever handles, 1/2" NPT male inlets and (2) 24" flexible stainless steel hoses. Certified to ASME A112.18.1/CSA B125.1, NSF 61-Section 9 and NSF 372. Meets ADA ANSI/ICC A117.1 requirements.

Job Name \_\_\_\_\_  
 Model Specified \_\_\_\_\_ Quantity \_\_\_\_\_  
 Variations Specified \_\_\_\_\_  
 Date \_\_\_\_\_



### Features & Benefits:

- 8" wall mount mixing faucet with polished chrome plated brass body
- 12" swing nozzle
- Stream regulator outlet, Series 1
- Quarter-turn Cerama cartridges
- Lever handles w/ color coded indexes
- 1/2" NPT male inlets
- (2) 24" flexible stainless steel hoses
- Material: Polished chrome plated brass body and chrome plated metal handles

### Product Compliance:

- ASME A112.18.1 / CSA B125.1
- NSF 61 - Section 9
- NSF 372 (Low Lead Content)
- ANSI A117.1 (ADA)

### Warranty: One Year (Limited)

- Cerama Cartridge: Lifetime (Limited)

### Performance Data:

- Pressure: 20 - 125 psi
- Temperature: 40 °F - 180 °F
- Flow Rate: 14.58 GPM @ 60 psi



**ADA Compliant**

### Optional Outlets (Series 1 / VR Series 6)

GPM	Aerated	Non-Aerated (Laminar)	VR Aerated	VR Non-Aerated (VR Laminar)
0.35	N/A	<input type="checkbox"/> B-0199-01-N035	N/A	<input type="checkbox"/> B-0199-06-N035
0.5	N/A	<input type="checkbox"/> B-0199-01-N05	N/A	<input type="checkbox"/> B-0199-06-N05
1.0	<input type="checkbox"/> B-0199-01-F10	N/A	<input type="checkbox"/> B-0199-06-F10	N/A
1.5	<input type="checkbox"/> B-0199-01-WS	<input type="checkbox"/> B-0199-29	<input type="checkbox"/> B-0199-06-WS	<input type="checkbox"/> B-0199-29VR
2.2	<input type="checkbox"/> B-0199-01	<input type="checkbox"/> B-0199-21	<input type="checkbox"/> B-0199-06	<input type="checkbox"/> B-0199-21-VRF

### Optional Cartridges

- Quarter-Turn Cerama (Standard)
- Eterna
- Quarter-Turn Eterna

### Optional Handles

- 4" Wrist Action
- Lever (Standard)
- 4-Arm



**T&S BRASS AND BRONZE WORKS, INC.**



• 2 Saddleback Cove • Travelers Rest, SC 29690  
 Ph 800-476-4103 • Fax 864-834-3518  
 • Simi Valley, CA • Ph 800-423-0150 • www.tsbrass.com

Date: 06/22/16



**T&S BRASS AND BRONZE WORKS, INC.**

2 Saddleback Cove / P.O. Box 1088  
Travelers Rest, SC 29690



REG. #A2601  
ISO #9001

Model No.

**B-2278-A12CRCEL**

Item No.

Travelers Rest, SC: 800-476-4103 • Simi Valley, CA: 800-423-0150 • Fax: 864-834-3518 • www.tsbrass.com

This Space for Architect/Engineer Approval

Job Name \_\_\_\_\_ Date \_\_\_\_\_

Model Specified \_\_\_\_\_ Quantity \_\_\_\_\_

Customer/Wholesaler \_\_\_\_\_

Contractor \_\_\_\_\_

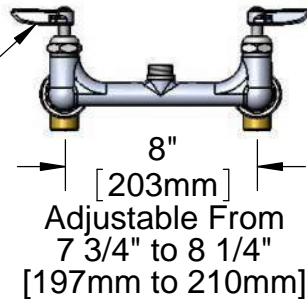
Architect/Engineer \_\_\_\_\_

**EPAct2005 COMPLIANT**



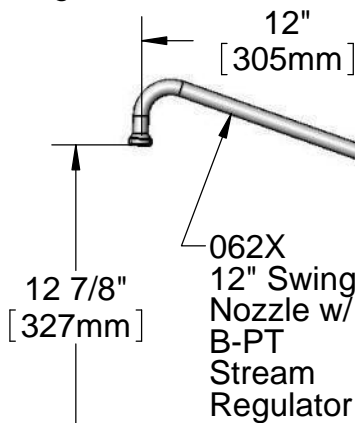
B-0044-H  
Flex Hose w/  
Overhead Spring &  
Spray Valve Assembly

Cerama Cartridges w/  
Check Valves &  
Lever Handles w/  
Color Coded Indexes

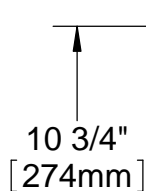


Flex Hose, Overhead  
Spring, Wall Bracket  
& Spray Valve Not  
Shown For Clarity.

004R  
Finger Hook



B-0970-FEZ  
Vacuum Breaker



000369-40  
3/8" x 18"  
Riser

B-0107-C  
Low Flow 0.65  
GPM Spray  
Valve

B-0109-01  
Wall  
Bracket

14 1/8"  
[358mm]

Add-On Faucet  
w/ Cerama  
Cartridge & Lever  
Handle

Mounting  
Surface

2 3/8"  
[61mm]

4 11/16"  
[120mm]

006895-20  
Short EI w/ 1/2"  
NPT Female Inlets

Ø 2" [51mm] Flanges w/  
1/2" NPT Female Inlets  
When Short EIs Are Removed

41 7/16"  
[1053mm]

1 7/16"  
[36mm]

**Product Specifications:**

EasyInstall Pre-Rinse 8" c/c Wall Mount Faucet, Short EI w/ 1/2" NPT Female Inlets, 18" Riser, Vacuum Breaker, Add-On Faucet w/ 12" Swing Nozzle, 44" Flex Hose w/ Low Flow Spray Valve & 6" Wall Support

Drawn

**DHL**

Checked

**JRM**

Approved

**JHB**

Scale:

**1:8**

Date:

**07/05/11**



## T&S BRASS AND BRONZE WORKS, INC.

2 Saddleback Cove / P.O. Box 1088  
Travelers Rest, SC 29690



REG. #A2601  
ISO #9001

Model No.  
**B-2278-A12CRCEL**

Item No.

Travelers Rest, SC: 800-476-4103 • Simi Valley, CA: 800-423-0150 • Fax: 864-834-3518 • www.tsbrass.com

	ITEM NO.	SALES NO.	DESCRIPTION
	1	B-0107-C	0.65 GPM Low Flow Spray Valve
	2	010476-45	#27 Washer
	3	000907-45	Spray Valve Hold Down Ring
	4	002987-40	Grip Handle Assembly
	5	001014-45	Washer, B-0100 Hose Barrel
	6	B-0044-H2A	44" Flex Stainless Steel Hose (Less Handle)
	7	000888-45	EasyInstall Overhead Spring
	8	000821-40	Spring Body
	9	004R	Finger Hook Assembly
	10	B-0109-01	6" Wall Support
	11	000369-40	3/8" NPT x 18" Long Riser
	12	062X	12" Swing Nozzle w/ B-PT Stream Regulator
	13	B-0970-FEZ	EasyInstall Vacuum Breaker
	14	014200-45	Star Washer, Anti-Rotation
	15	000922-45	Lever Handle Screw
	16	001660-45	Blue Index-CW
	17	006895-20	1/2" NPT Fem x Fem Short EI
	18	B-0425	1/2" NPT x 2" NPT Supply Nipple Kit
	19	002954-45	Shank Lock Nut
	20	000999-45	Brass Lock Washer
	21	00AA	1/2" NPT Female Flanged Inlet
	22	001019-45	Coupling Nut Washer
	23	012395-25	Cerama Cartridge, LTC w/ Check Valve
	24	011278-25	Cerama Cartridge RTC
	25	001661-45	Red Index-HW
	26	012394-25	Cerama Cartridge, RTC w/ Check Valve
	27	001638-45	Lever Handle
	28	B-PT	Stream Regulator
	29	001048-45	Nozzle Tip Washer

**Product Specifications:**  
EasyInstall Pre-Rinse 8" c/c Wall Mount Faucet, Short EI w/ 1/2" NPT Female Inlets, 18" Riser, Vacuum Breaker, Add-On Faucet w/ 12" Swing Nozzle, 44" Flex Hose w/ Low Flow Spray Valve & 6" Wall Support

Drawn <b>DHL</b>	Checked <b>JRM</b>	Approved <b>JHB</b>
Scale: <b>NTS</b>		Date: <b>07/05/11</b>



Item No.:	_____	Qty.:	_____
Model No.:	_____		
Project No.:	_____		

### Economy Series Hand Sink

*Economy 18" Hand Sink, Wall Mounted, Both Side Splashes, Lever Waste, Overflow, P-Trap*



EHS-18SDX

### Features

- 18 Gauge, 300 series stainless steel
- 6" Backsplash with 2" return
- Goose neck faucet
- Both left and right side splashes
- 1-1/2" Drain opening
- Strainer, overflow, and P-Trap included
- Z-clip mounting bracket
- Easy to clean and sanitize

### Options

- Faucet Upgrade
- Apron Skirt

### Materials

- Sink & Bowl: 18 gauge, 300 series stainless steel
- Top: Backsplash is 18 gauge, 300 series stainless steel

### Mechanical

- 1-1/8" (29mm) faucet holes on 4" (102mm) centers
- 1-1/2" (38mm) waste drain opening

### Flyer Product

*In keeping with our policy of continuing product improvement, Elkay SSP reserves the right to change product specifications without notice.*



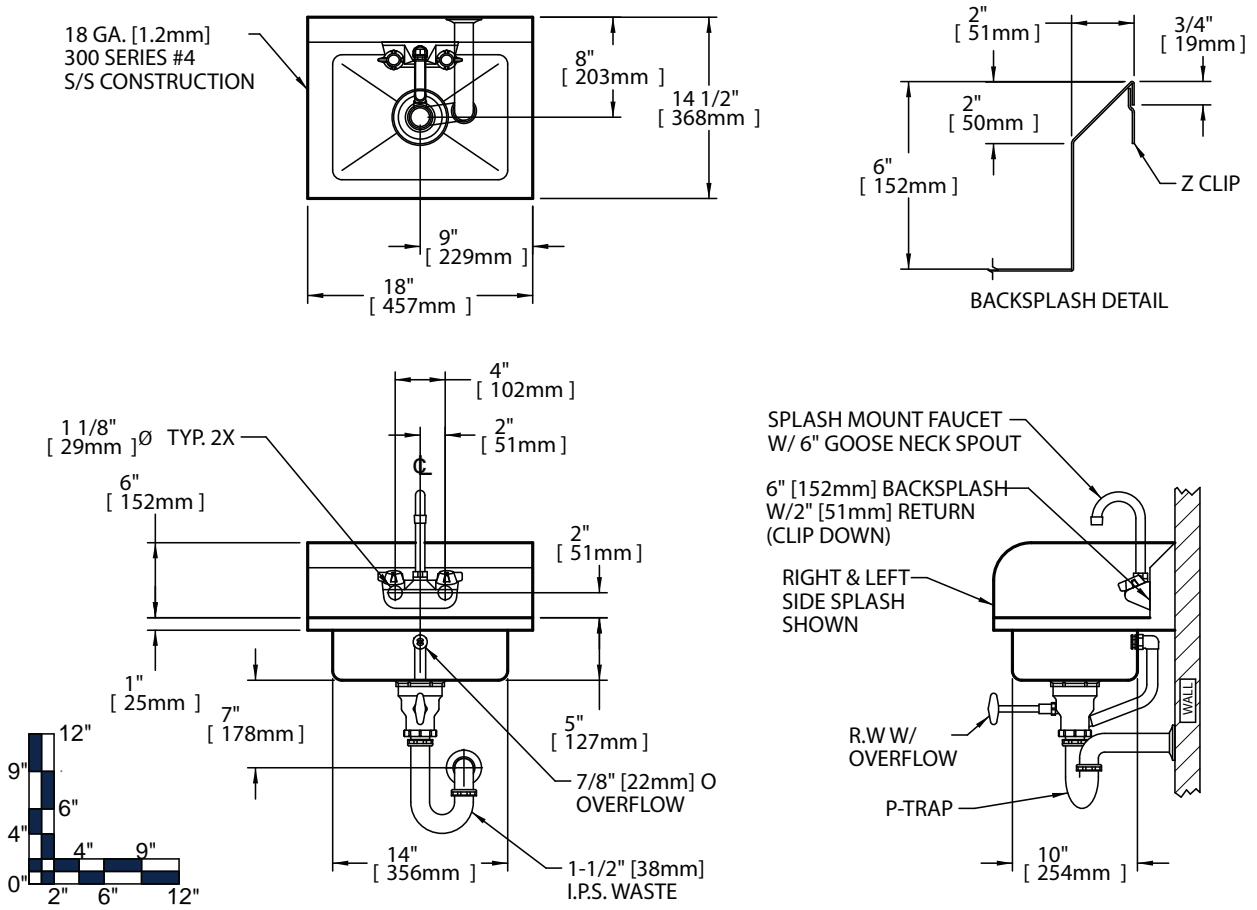
**AUTOQUOTES**



*This specification describes an Elkay SSP product with design, quality and functional benefits to the user. When making a comparison of other producers' offerings, be certain these features are not overlooked.*

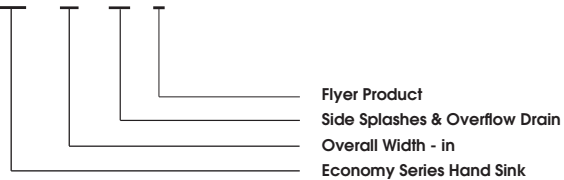


Item No.: \_\_\_\_\_ Qty.: \_\_\_\_\_  
 Model No.: \_\_\_\_\_  
 Project No.: \_\_\_\_\_



Economy Hand Sinks																
	Bowl Dimensions						Overall Size						Drain Location		Weight	
	Width		Front-to-Back		Depth		Width		Front-to-Back		Height		DL		lbs.	kg
	A	mm	B	mm	D	mm	L	mm	W	mm	H	mm	DL	mm		
EHS - 18 - SD X	10	254	14	356	5	127	14	356	18	457	11.0	279	10.0	254	21	10

\* Custom sizes also available



- Halo™ Delivers the Most Effective Eye/Face Washdown Coverage and Spray Pattern
- Exceeds American National Standard Z358.1 Specifications
- Exceeds European EN 15154-2
- Exceeds Australia/New Zealand AS-4775 & AS/NZS 4020
- Industry's Only Self-Draining Design – The Aquaduct™
- Separate Supply and Waste Pipes – Meets CEN and Plumbing Requirements
- Ergonomic Hand Activation Eyewash Paddle – Easy to Reach from Any Direction
- Barrier Free
- Fully-Assembled and Factory-Tested Eyewash or Eye/Face Wash with Hinged Dust Covers
- Yellow Transparent Plastic and Stainless Steel Bowl Covers Available
- Universal Identification Sign and Inspection Tag Included
- Classified by Underwriters Laboratories Inc. to ANSI Z358.1.
- Certified by DVGW to EN 15154-2
- Listed by Intertek to EN 15154-2
- Certified by IAPMO OCEANA to AS4775 and AS/NZS 4020
- Halo is Covered by One or More of the Following Patents: D662,220; D662,219; D685,920. Other Patents Pending.

### Specifications

Standard Eyewash or Eye/Face Wash Units save space and fit easily into any work environment. Halo eyewash or eye/face wash, operated by an ergonomic, highly visible push handle, provides effective wash down coverage and spray pattern. Integral strainer reduces debris in the water and also prevents clogging.

*This plumbing fixture is not intended to dispense water for human consumption through drinking or for preparation of food or beverages.*

#### Pipe and Fittings

Piping to ½" NPT (BSPP) water supply inlet on unit. Piping to 1¼" NPT drain outlet for eyewash.

1¼" piping assembly manufactured of one of the following materials:

- Galvanized steel with BradTect® safety yellow coating
- Type 304 corrosion resistant stainless steel
- Type 316 corrosion-resistant stainless steel
- Chrome plated red brass.

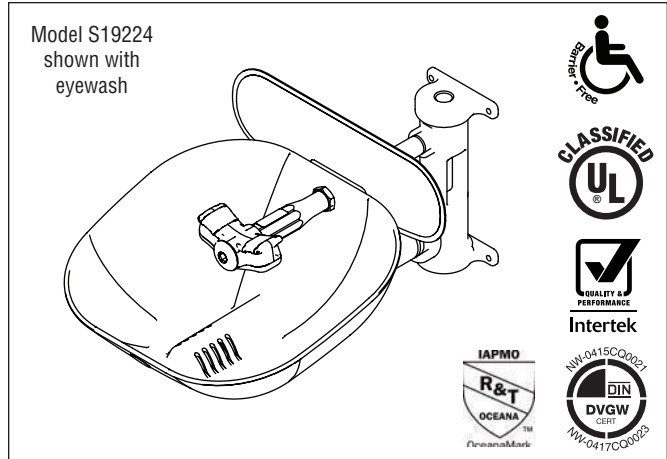
#### Ball Valve

½" stay-open eye and eye/face wash valve manufactured of the following materials and supplied with either type 304 or 316 stainless steel pull rod and handle:

- Chrome-plated brass
- Type 316 stainless steel
- Self-closing chrome-plated brass (self closing eyewash valve may not meet local requirements for eyewash activation).

#### Eyewash

The Halo eyewash system offers a high performance rinsing platform that provides rapid relief to an individual's eyes that have been injured by chemicals or particulate. The eyewash includes an integral 5.1 GPM (19.2 L) flow control, providing water at a safe velocity while maintaining its effectiveness (exceeds minimum water flow of 0.4 GPM (1.5 L) at 30 PSI (2.0 bar)). Eyewash is protected by flip open dust covers that open when product is activated or by a full bowl dust cover that activates the unit when it is opened. Safe, steady water flow under varying water supply conditions from 30–90 PSI (2.0–6.1 bar) is assured by integral flow control in the sprayhead assembly.



#### Eye/Face Wash

The Halo eye/face wash system offers a high performance rinsing platform that provides rapid relief to an individual's eyes and face that have been injured by chemicals or particulate. This system provides the most complete face wash available in the market. The eye/face wash includes an integral 5.1 GPM (19.2 L) flow control, providing water at a safe velocity while maintaining its effectiveness (exceeds minimum water flow of 3.0 GPM (11.4 L) at 30 PSI (2.0 bar)). Eye/face wash is protected by flip open dust covers that open when product is activated or by a full bowl dust cover that activates the unit when it is opened. Safe, steady water flow under varying water supply conditions from 30–90 PSI (2.0–6.1 bar) is assured by integral flow control in the sprayhead assembly. Sprayheads are made from an impact resistant ABS plastic or from durable 304/316 stainless steel with electro-polished finish. Bowl and Dust Cover Bowl is constructed of yellow impact-resistant plastic, Type 304 corrosion-resistant stainless steel or Type 316 corrosion-resistant stainless steel. Optional dust cover is constructed of transparent yellow impact-resistant plastic, Type 304 corrosion-resistant stainless steel or Type 316 corrosion-resistant stainless steel.

#### Activation

Type 304 stainless steel push handle with optional aluminum or type 304 stainless steel foot pedal. Type 316 stainless steel push handle with optional Type 316 stainless steel foot pedal.

**Recommended Option:**  
 Navigator S19-2000 EFX8  
 Emergency Thermostatic Mixing Valve  
**NAVIGATOR**

Satisfies ANSI Z358.1  
 tepid water requirements.



### Drench Hose

Perforated sprayhead with protective sprayhead cover is ABS plastic and provides soft spray for cleansing eyes and face. Chrome-plated brass valve with extended handle stays open once handle is squeezed. 8' (2438mm) yellow reinforced thermoplastic hose has 3/4" NPT male thread. Burst strength is 450 PSI (31 bar). Attachment Kit includes 1/2" NPT supply, fittings and hanger for attaching hose to eyewashes. The sprayhead contains an antimicrobial agent to protect the sprayhead.

### Backflow Prevention

Series N9 dual-check backflow preventer has a chrome-nickel plated brass body and includes atmospheric vent for continuous pressure applications. The check valve comes with 3/4" female dual NPT female inlet and outlet connections. It can sustain a maximum pressure of 125 PSI (8.6 bars). The check valve is certified to CSA B64.8.

Series 9D dual-check backflow preventer with intermediate atmospheric vent can be used under continuous pressure. The primary check valve uses a rubber disc seating adjacent to a mating rubber part to ensure tight closing. A second check valve employs a rubber disc-to-metal seating.

### Wall Bracket

Heavy-gauge sand cast aluminum protected with BradTect safety yellow coating. Includes three clearance holes for mounting bracket onto wall (mounting hardware not included).

### Waste

1/4" drain fitting and tailpiece furnished.



*Drench hose, backflow prevention and mixing valves are not certified to Australia AS4775 or European EN 15154-2.*

## Halo Pre-Configured Models

Halo Model Number	Description	UL certified to ANSI/ISEA	Intertek certified to EN standards
<b>Eyewashes</b>			
<input type="checkbox"/> S19224EW	Halo Eyewash, plastic bowl	X	X
<input type="checkbox"/> S19224PT	Halo Eyewash, plastic bowl, p-trap	X	X
<input type="checkbox"/> S19224B	Halo Eyewash, stainless steel bowl	X	X
<input type="checkbox"/> S19224BPT	Halo Eyewash, stainless steel bowl, p-trap	X	X
<b>Eyewashes with Dust Cover</b>			
<input type="checkbox"/> S19224PDC	Halo Eyewash, plastic bowl w/ dust cover	X	X
<input type="checkbox"/> S19224DC	Halo Eyewash, stainless steel bowl & hinged dust cover	X	X
<input type="checkbox"/> S19224DCPT	Halo Eyewash, stainless steel bowl & hinged dust cover, p-trap	X	X
<b>Eye-Face Washes</b>			
<input type="checkbox"/> S19224FW	Halo Eye/face wash, plastic bowl	X	X
<input type="checkbox"/> S19224FWPT	Halo Eye/face wash, plastic bowl, p-trap	X	X
<input type="checkbox"/> S19224T	Halo Eye/face wash, stainless steel bowl	X	X
<input type="checkbox"/> S19224P	Halo Eye/face wash, stainless steel bowl w/ hose spray, tailpiece	X	X
<input type="checkbox"/> S19224TPT	Halo Eye/face wash, stainless steel bowl, p-trap	X	X
<input type="checkbox"/> S19224Y	Halo Eye/face wash, stainless steel bowl, hand/foot operated, tailpiece	X	X
<b>Eye-Face Washes with Dust Covers</b>			
<input checked="" type="checkbox"/> S19224PDCF	Halo Eye/face wash, plastic bowl w/ dust cover	X	X
<input type="checkbox"/> S19224DCF	Halo Eye/face wash, stainless steel bowl & hinged dust cover	X	X
<input type="checkbox"/> S19224DCRPT	Halo Eye/face wash, stainless steel bowl & hinged dust cover, p-trap	X	X
<b>All Stainless Steel Eye/Face Wash</b>			
<input type="checkbox"/> S19224SC	Halo stainless steel eye/face wash, bowl and cover	X	X
<input type="checkbox"/> S19224SS	Halo stainless steel eye/face wash and bowl	X	X

**Models with BSPP threading available. For BSPP threading, add a Z to end of existing part number. For example, S19224EW will be S19224EWZ.**



**MUSTEE**  
Preferred by the "Pros"

# KITCHEN PANTRY Mop Service Basin — Model 63M

## DELETED JANITOR MOP CLOSET

**SEE PAGE 2 FOR A LIST OF ACCESSORIES!**



### Design features:

- All Mustee basins are one-piece molded from high impact resistant DURASTONE® structural fiberglass (24" x 24")
- Integral, molded-in drain for connection to 3" ABS, PVC (Sch. 80) or cast iron
- Available drain seals for connection to 2" pipe or 3" soil pipe
- Complete range of accessories to meet specific application needs
- Colorfast marbled white finish
- Easy to install

### Code Accepted

Mustee Mop Service Basins meet or exceed performance requirements as listed:

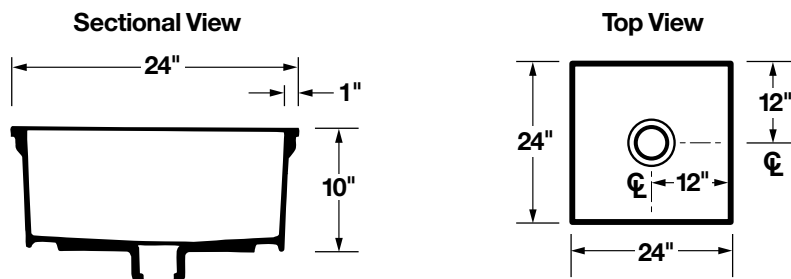
- International Association of Plumbing and Mechanical Officials (IAPMO)® Listed
- Warnock Hersey® (Canada) Listed—CSA test standards: Mop Basins - #B45.0
- American National Standards Institute (ANSI)-Specification Z 124-2011
- American Society of Testing and Materials (ASTM) D 635 E 84 and E 162
- CAN/ULC S102-07 Burn and Smoke Test



### Specifications

Model Number	Model	H x W x D	UPC
63M	White	10" x 24" x 24"	6 71031 00189 4

**General:** Furnish and install as shown on plans, Mop Service Basin model 63M, as manufactured by E.L. Mustee & Sons, Inc. Unit to be one-piece molded fiberglass made with matched metal molds using extreme heat and pressure. Height shall be 10" with not less than 1" wide shoulder. Size 24" x 24". Drain shall be integrally molded, complete with drain seal for installation of 3" ABS, PVC (Sch. #80) and iron pipe. Removable stainless steel strainer. Performance tested to meet or exceed ANSI Z 124-2011 and FHA/HUD UM-73. Weight 45 lbs., cubic feet 4.2. Install in compliance with local codes.



**MUSTEE**

E.L. Mustee & Sons, Inc. • 5431 West 164th Street • Brook Park, OH 44142 • Phone: 216.267.3100 • Fax: 216.267.9997  
E-mail: info@mustee.com. • Web: www.mustee.com • Proudly made in the USA

Notice: Our continuous commitment to product improvement may result in changes to product specifications without notice. Patents pending. Made and Printed in U.S.A.



► **Service Faucet**



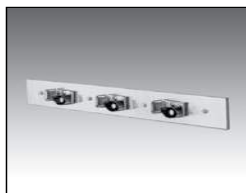
Model No.	UPC
63.600A	6 71031 00277 8
Heavy duty, chrome plated brass dual handle sink faucet with top reinforcing bar and pail hook on spout.	

► **Hose and Hose Holder**



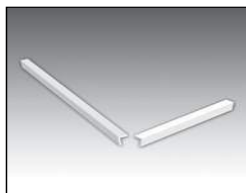
Model No.	UPC
65.700	6 71031 00196 2
Heavy duty 5/8" dia. reinforced 31" rubber hose with brass couplings on one end. Spring loaded, molded rubber hose holder mounts on stainless steel wall plate.	

► **Mop Hanger**



Model No.	UPC
65.600	6 71031 00195 5
Three spring-loaded rubber holders mounted to a 3" x 24" stainless steel wall plate. Click here for more information.	

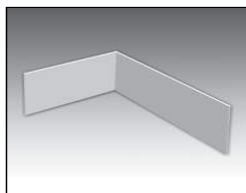
► **Bumper Guards**



Available in high impact resistant molded vinyl (3 versions) or stainless steel (2 versions).

Model No.	UPC
<b>High Impact-resistant vinyl</b>	
63.401 20-3/4" Long	6 71031 00290 7
<b>Stainless steel</b>	
63.403 20-3/4" Long	6 71031 00409 3

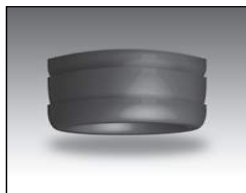
► **DURAGUARD™ Wall Guards**



Protects wall surfaces from splashing and damage from impacts, 12" height, 20 gauge #304 stainless steel.

Model No.	UPC
67.2424 Two panels & bracket for 24" x 24" corner	6 71031 00293 8
67.24C One panel & corner bracket	6 71031 00295 2

► **Optional Seals**



For installations with the following pipe connections:

Model No.	UPC
65.308 For 2" PVC, ABS and iron	6 71031 00303 4
65.309 For 3" PVC, ABS and iron,(Included w/mop basin)	6 71031 00304 1
65.311 For 3" soil pipe (No-Hub)	6 71031 00305 8





## Specifications

### FAUCET DESCRIPTION

- Brass construction, rough chrome finish
- Integral vacuum-breaker
- 3/4" Garden hose threaded spout
- 1/2" IPS eccentric connections
- "Service stops"
- "Wall mounting bracket"
- Vandal resistant torx head screws

### OPERATION

- Lever style handles with hot and cold color indicators

### FLOW

- Unrestricted

### CARTRIDGE

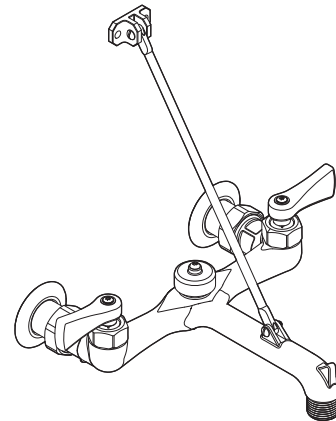
- Brass shell ceramic disc cartridge
- 1/4 turn operation

### STANDARDS

- Third party certified by IAPMO and CSA to meet ASME A112.18.1M and all applicable specifications referenced therein
- ADA for lever handles

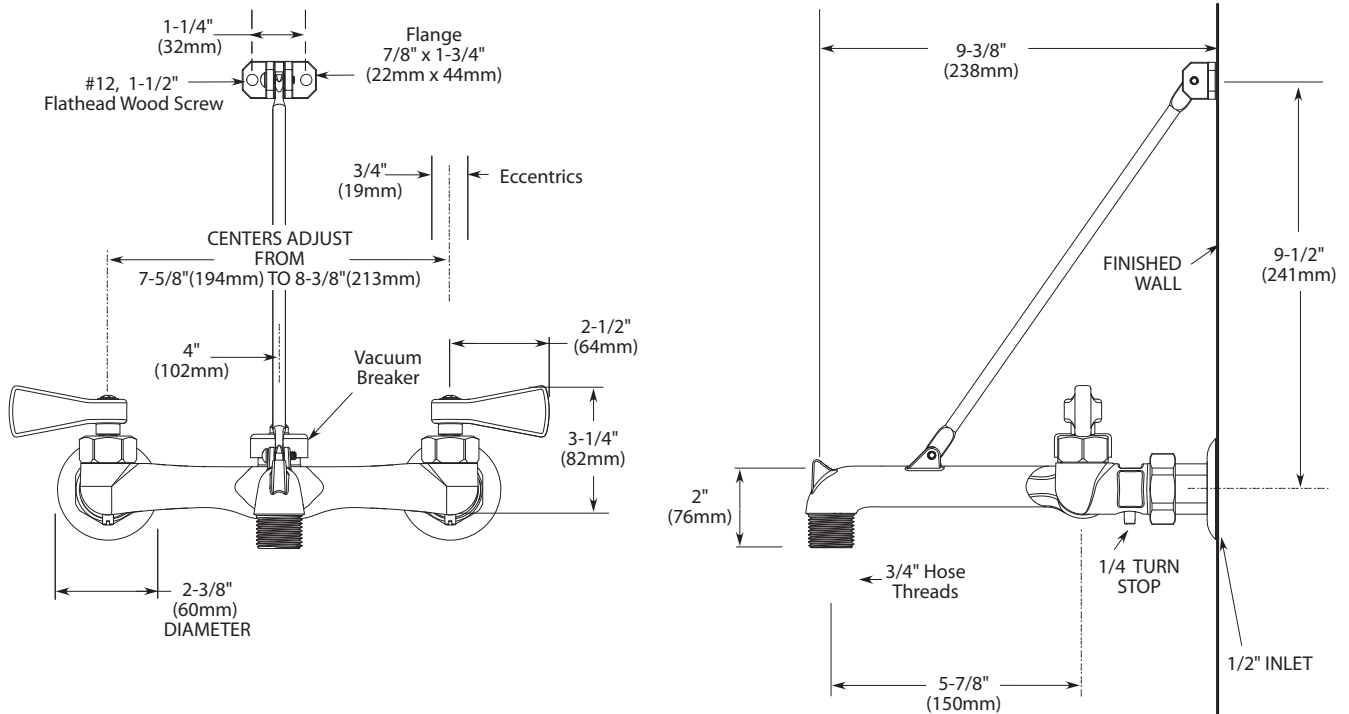
### WARRANTY

- Warranted for 5 years against material or manufacturing defects



**Two-Handle Service Sink Faucet**

**Model: 8230** (Chrome)



### CRITICAL DIMENSIONS

(DO NOT SCALE)